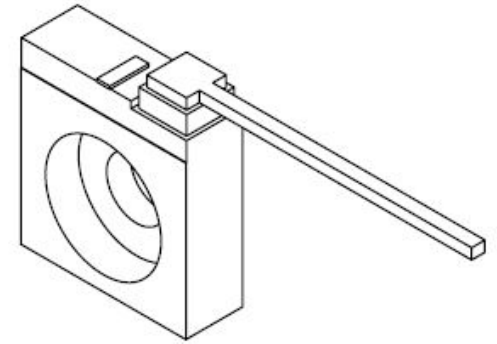
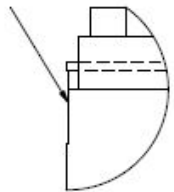


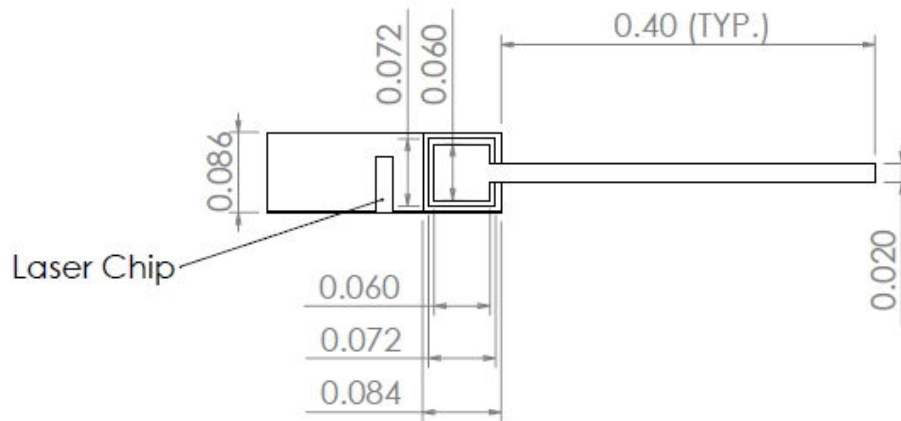
$\phi 0.090$  Through Hole  
with Counterbore  
0.175 Dia., 0.050 Deep



Relief Cut  
0.002"



DETAIL A  
SCALE 8 : 1



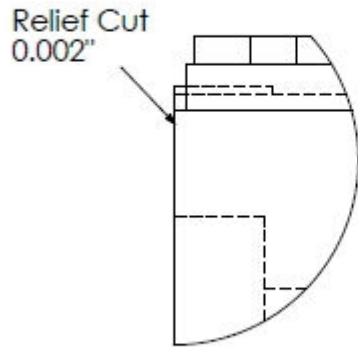
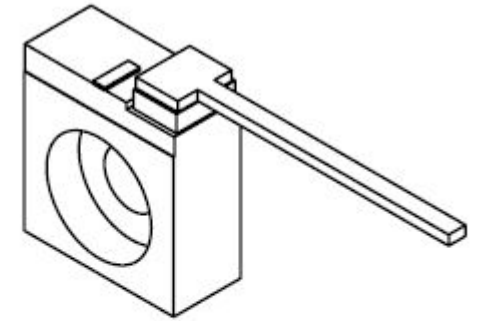
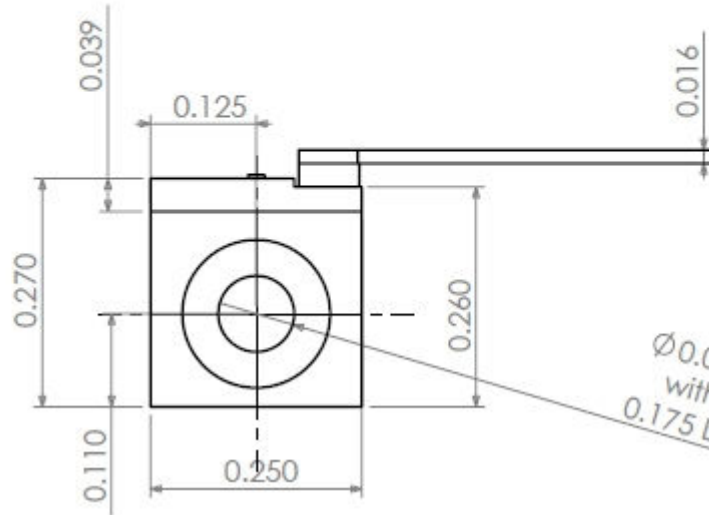
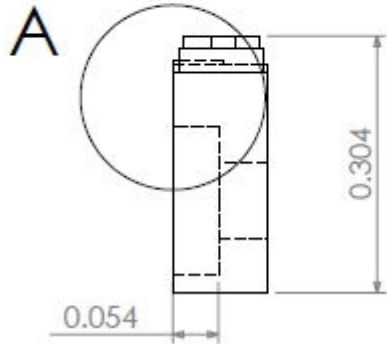
Laser Chip

Note:  
Material: OFHC Copper

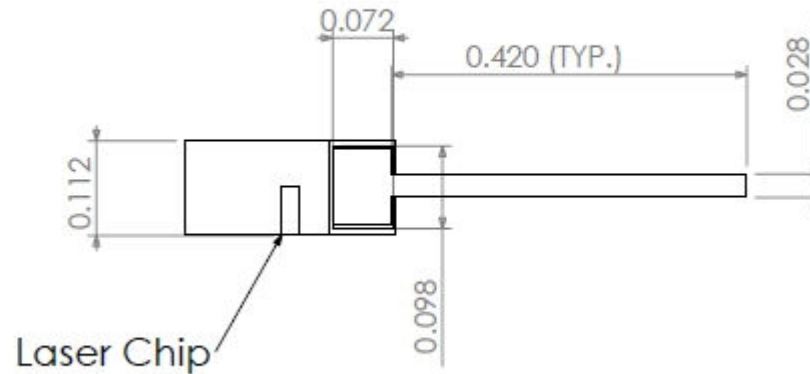
Title: C- Mount Standard

LDX Optronics Inc

Date:



DETAIL A  
SCALE 8 : 1

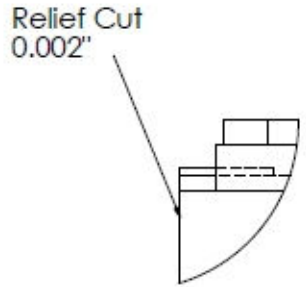
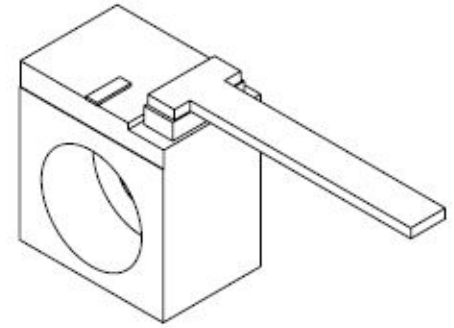
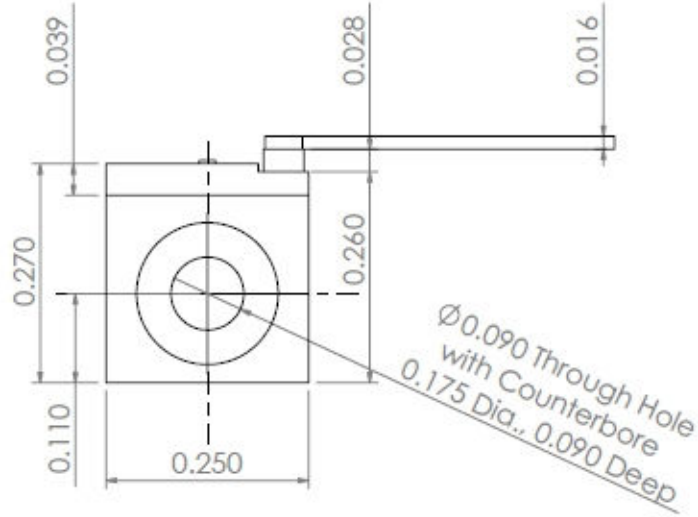
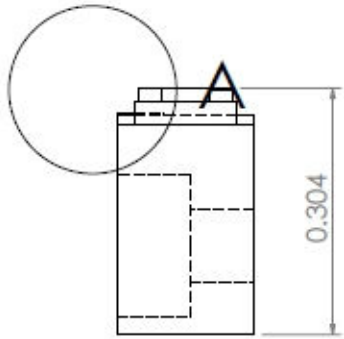


Note:  
1. Material: OFHC Copper

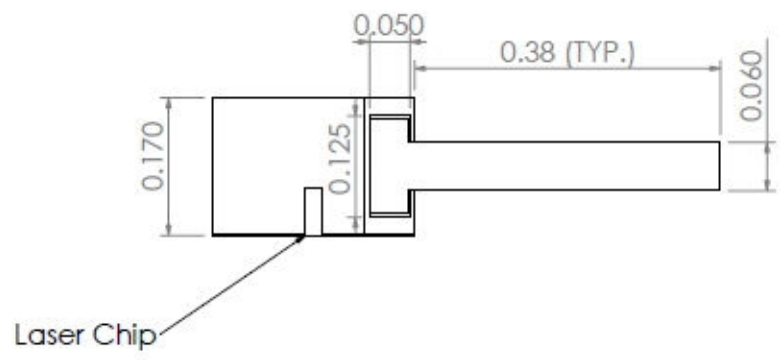
Title: C- Mount Medium

LDX Optronics Inc

Date:



DETAIL A  
SCALE 8 : 1

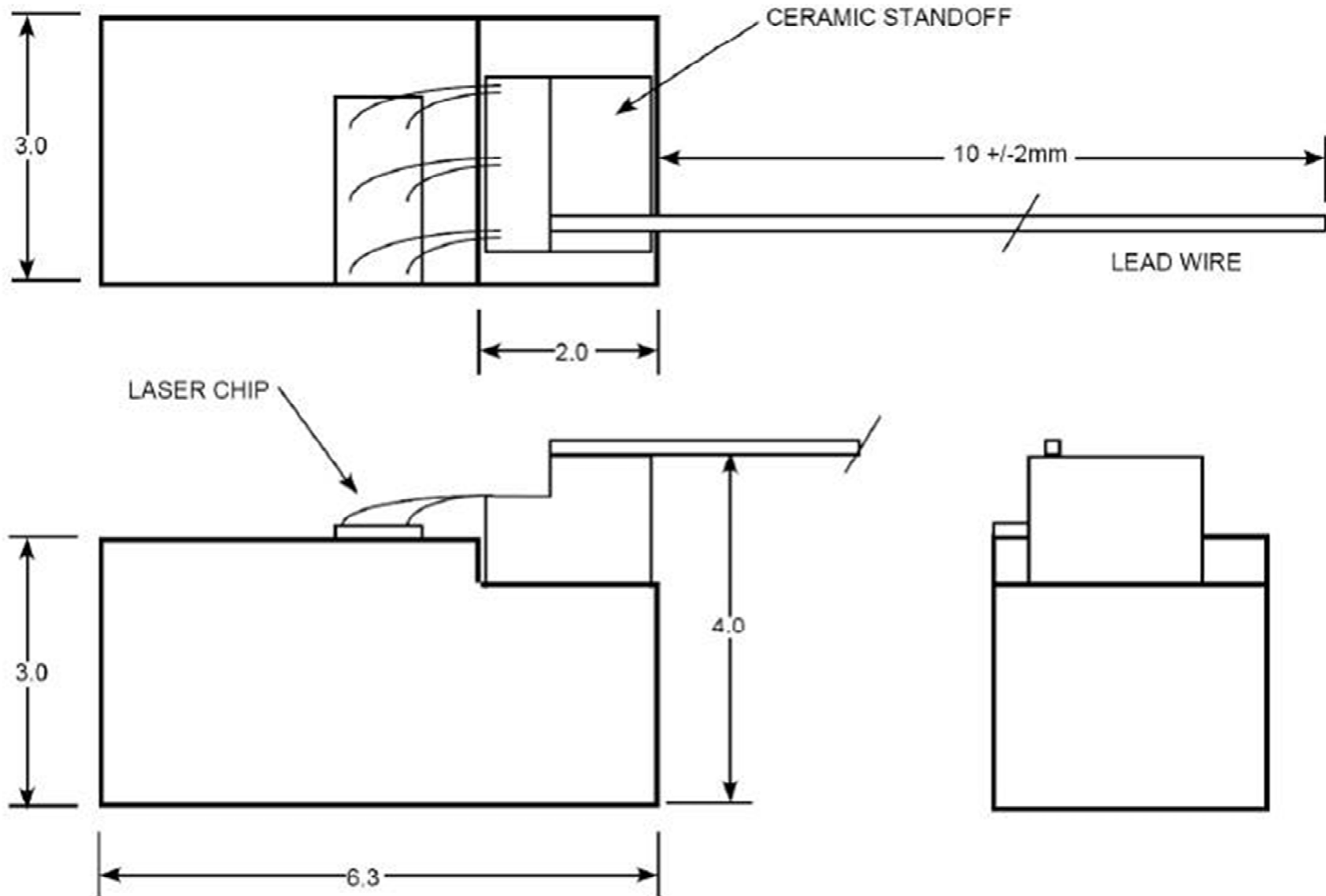


Note:  
1. Material: OFHC Copper

Title: C-Mount Thick

LDX Optronics Inc

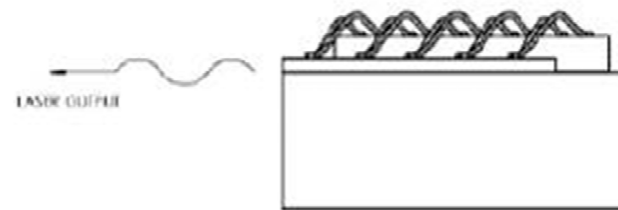
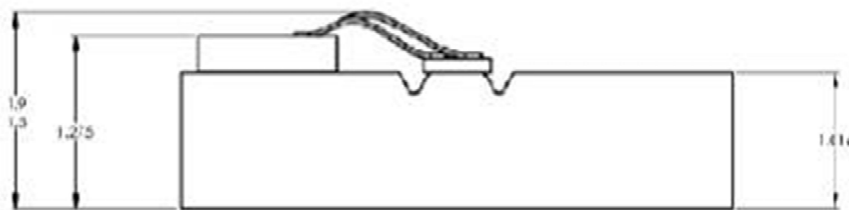
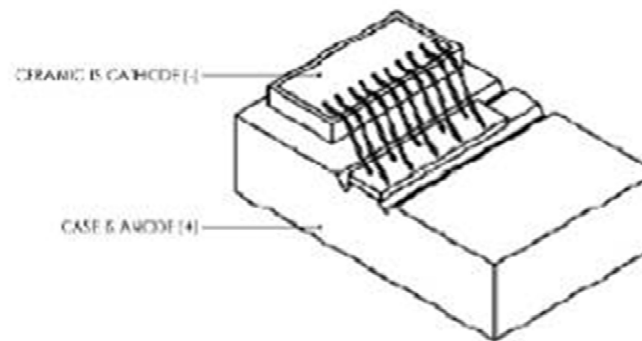
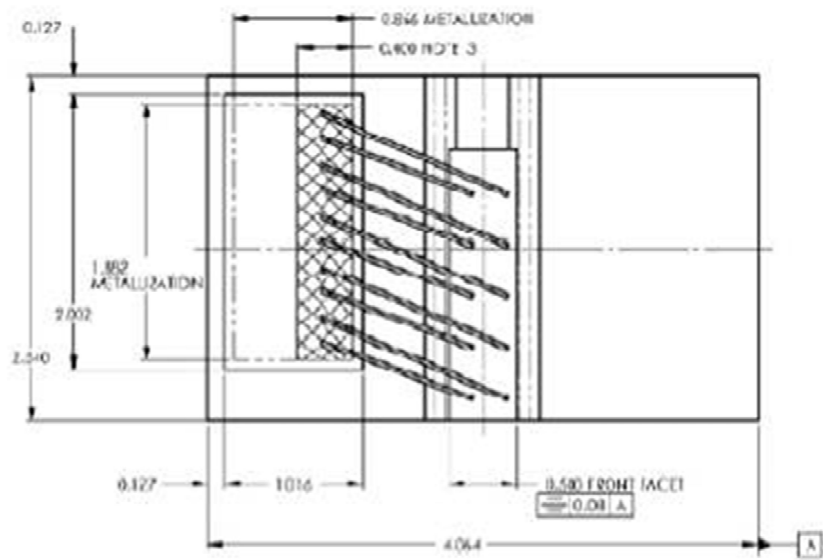
Date:



Title: B – Mount Package

Date:

LDX Optronics Inc

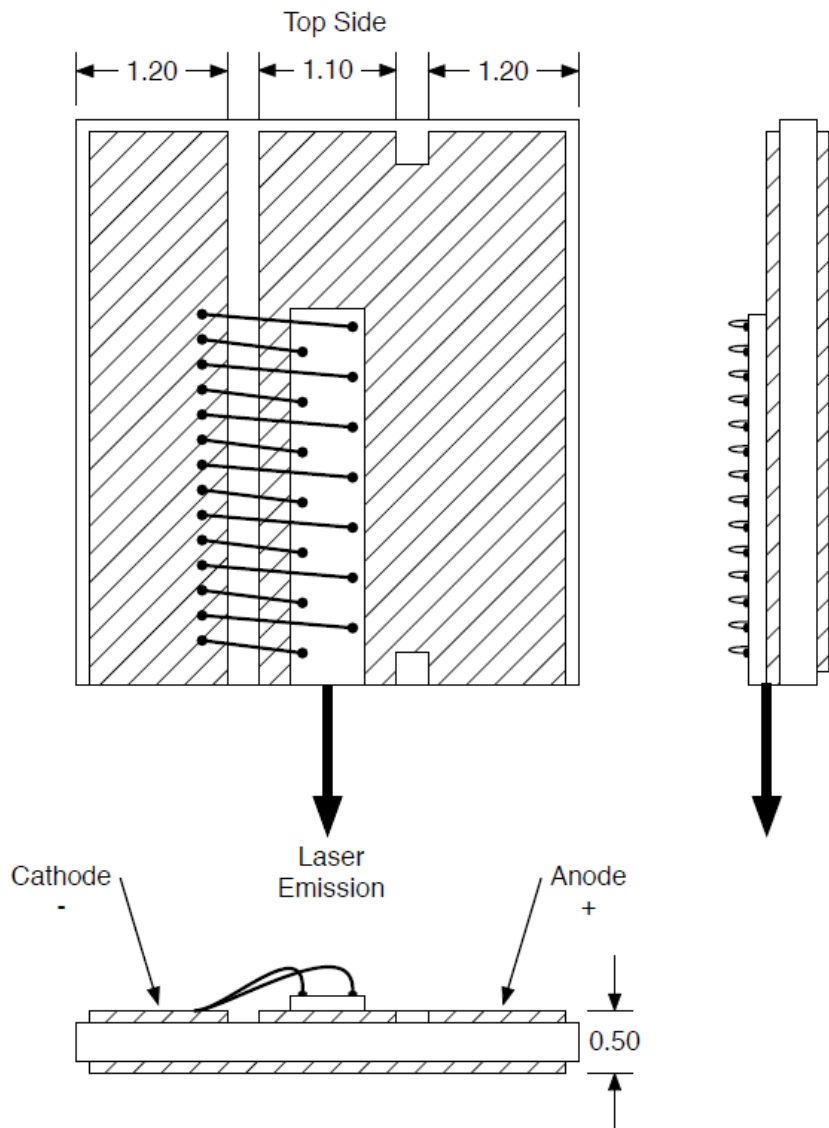


CuW (Copper-Tungsten alloy 20/80).

Title: Q – Mount Package

LDX Optronics Inc

Date:

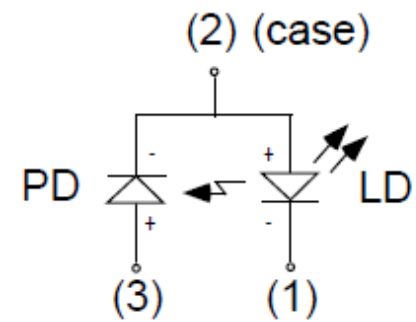
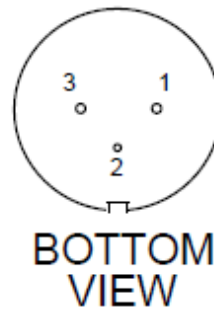
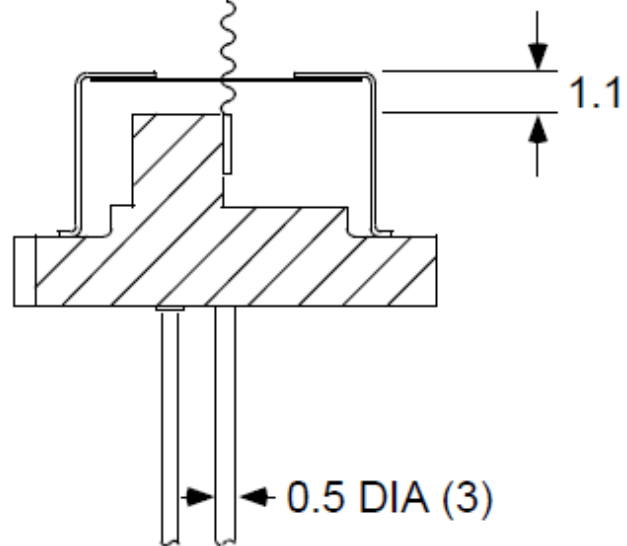
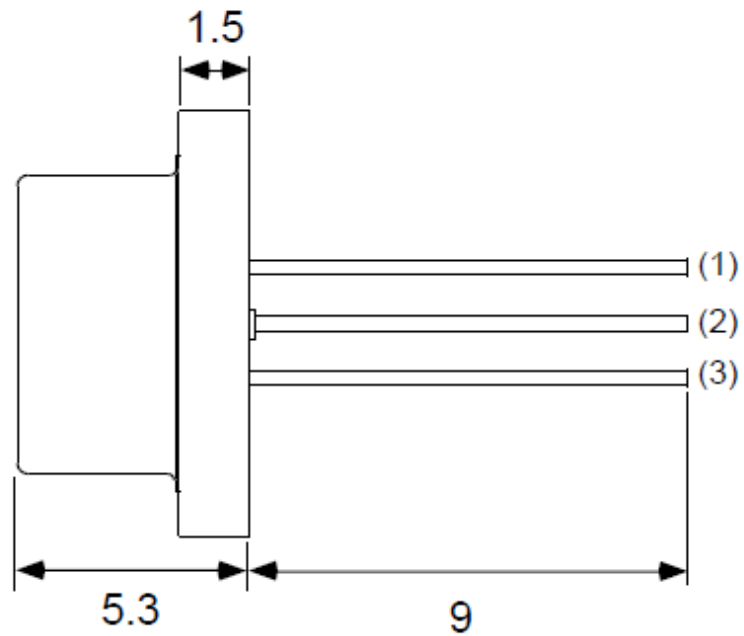
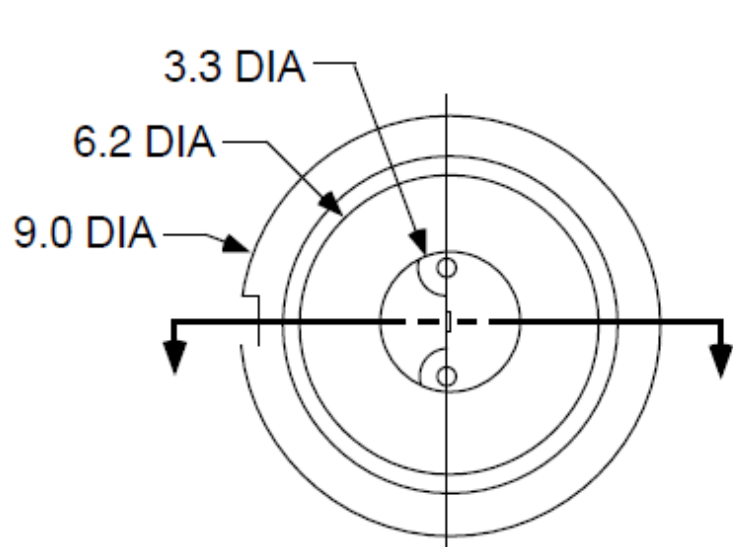


1. Dimensions in millimeters.
2. Material: BeO Ceramic with Copper surfaces.
3. Metalization: Ni/Au plated.
4. Dimensional tolerance +/-0.05mm.
5. Indium die attach- 150°C max process temperature.
6. AuSn die attach- 270°C max process temperature.

Title: Chip on Submount Package

LDX Optronics Inc

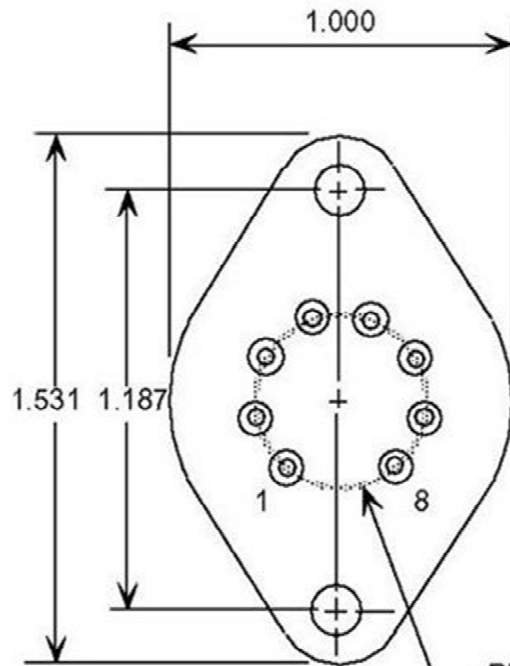
Date:



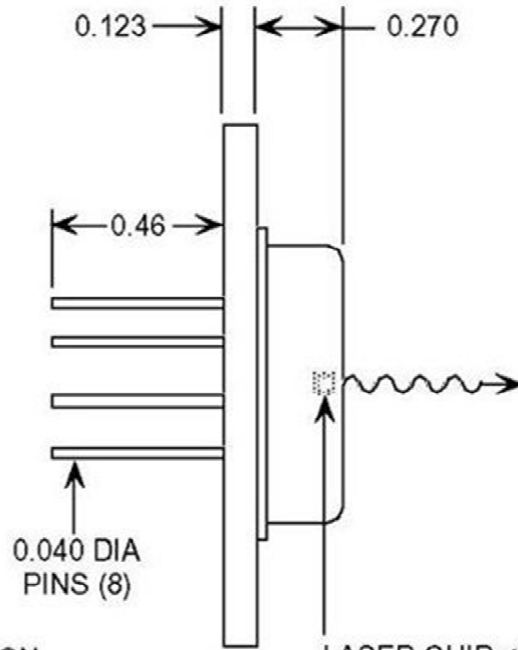
Title: 9mm Package

LDX Optronics Inc

Date:

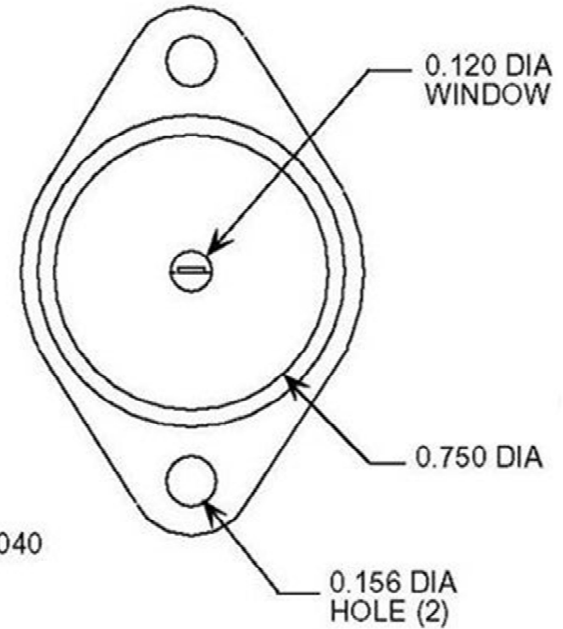


PINS ARE ON  
0.5 DIA CIRCLE



0.040 DIA  
PINS (8)

LASER CHIP <0.040  
BEHIND FRONT  
OF PACKAGE



0.120 DIA  
WINDOW

0.750 DIA

0.156 DIA  
HOLE (2)

- PIN 1: TEC (+)
- PIN 2: THERMISTOR
- PIN 3: THERMISTOR
- PIN 4: LASER CATHODE (-)
- PIN 5: LASER ANODE (+)
- PIN 6: P.D. ANODE
- PIN 7: P.D. CATHODE
- PIN 8: TEC (-)

- THERMOELECTRIC COOLER RATED 6.2 VOLT, 1.8 AMP MAXIMUM.
- THERMISTOR CONSTANTS:  $A=1.129 \text{ E-3}$ ,  $B=2.341 \text{ E-4}$ ,  $C=0.878 \text{ E-7}$
- THERMISTOR RESISTANCE:
 

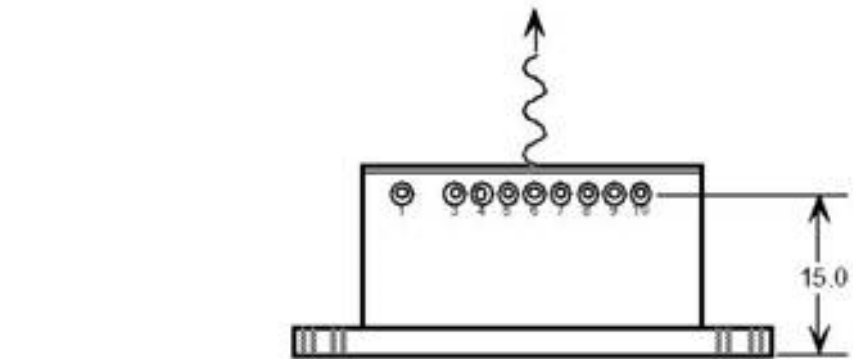
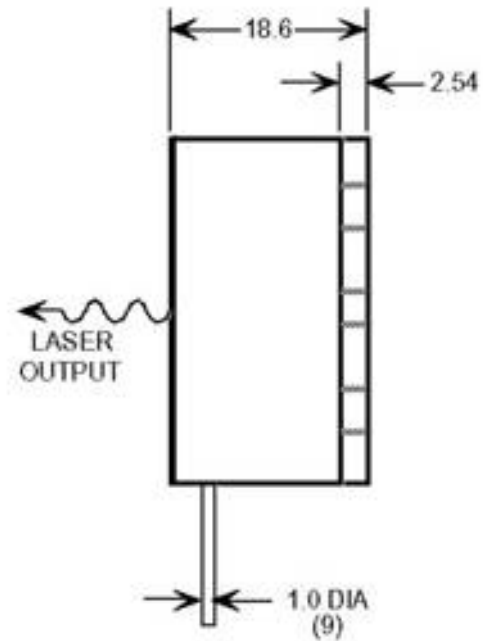
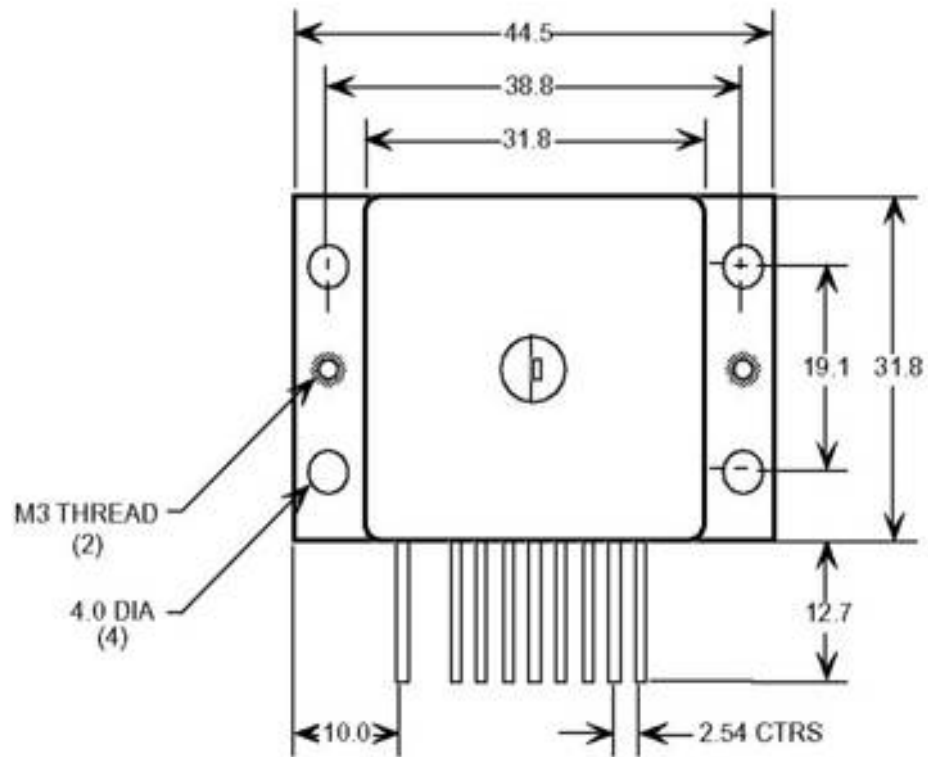
10.0 K	@	25 °C
12.5 K	@	20 °C
15.7 K	@	15 °C
19.9 K	@	10 °C
25.4 K	@	5 °C

Title: TO-3 Package

LDX Optronics Inc

Date:





- |                        |                               |
|------------------------|-------------------------------|
| PIN 1: TEC (-)         | PIN 6: THERMISTOR             |
| PIN 2: THERMISTOR      | PIN 7: LASER CATHODE (-)      |
| PIN 3: CASE            | PIN 8: PHOTODIODE ANODE (+)   |
| PIN 4: LASER ANODE (+) | PIN 9: PHOTODIODE CATHODE (-) |
| PIN 5: THERMISTOR      | PIN 10: TEC (+)               |

- THERMOELECTRIC COOLER RATED 3.6 AMP, 9.0 VOLTS MAXIMUM.
- THERMISTOR CONSTANTS:  $A=1.129 \text{ E-3}$ ,  $B=2.341 \text{ E-4}$ ,  $C=0.878 \text{ E-7}$
- THERMISTOR RESISTANCE:

10.0 K @ 25 °C	12.5 K @ 20 °C
15.7 K @ 15 °C	19.9 K @ 10 °C
25.4 K @ 5 °C	32.7 K @ 0 °C
42.3 K @ -5 °C	55.3 K @ -10 °C

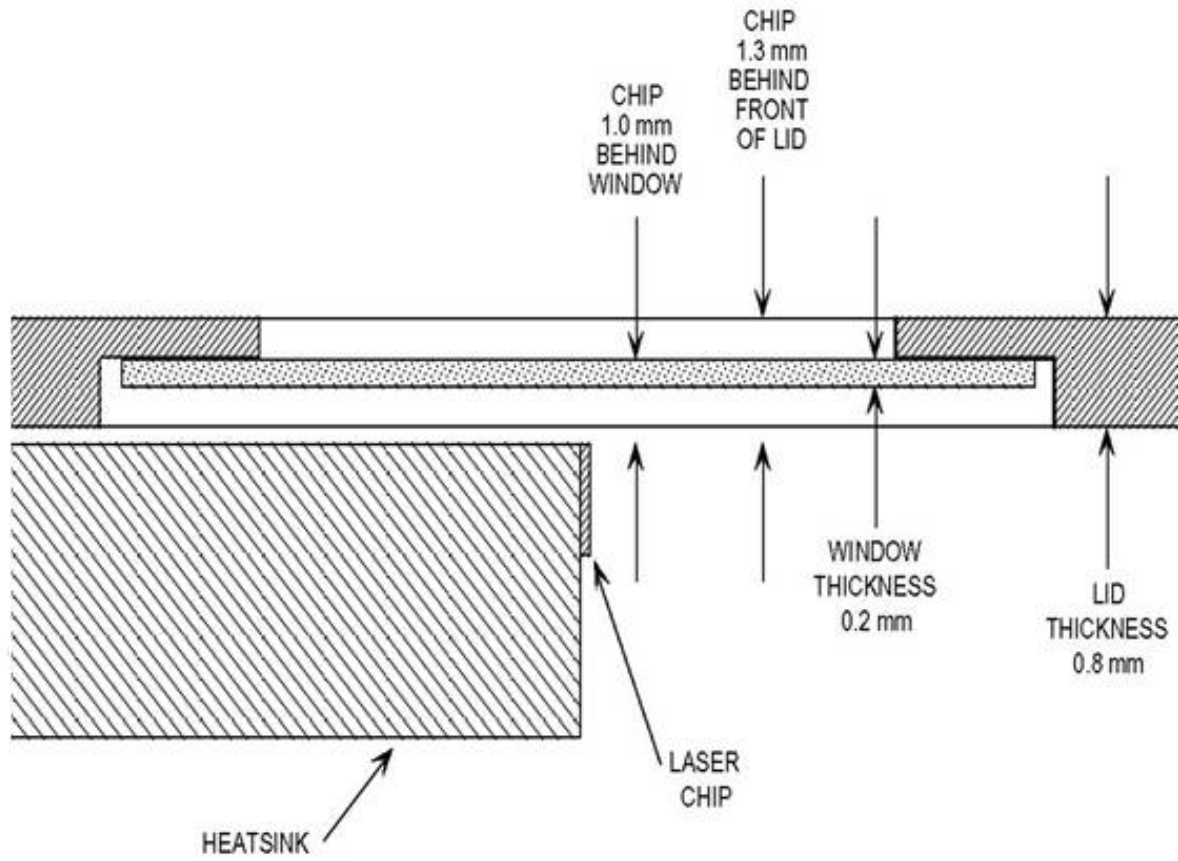
ALL DIMENSIONS IN MILLIMETERS

Title: HHL Package

LDX Optronics Inc

Date:

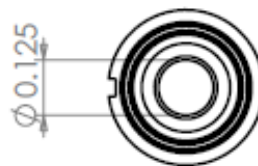
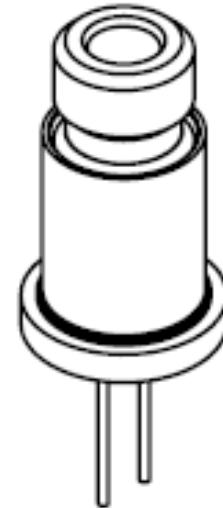
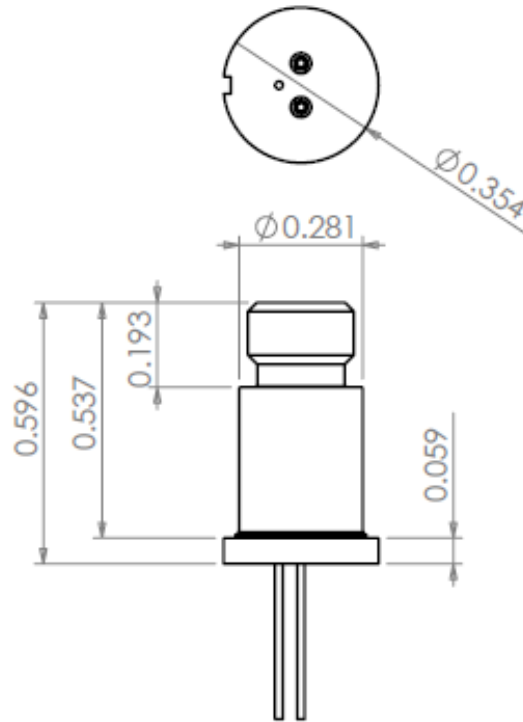
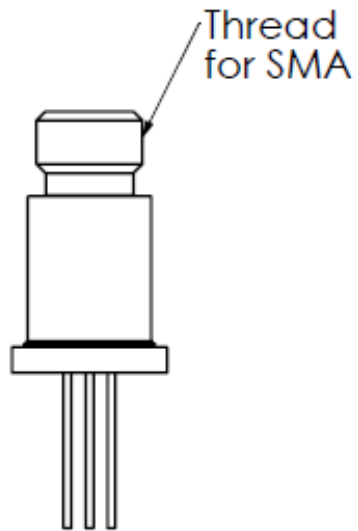
HHL PACKAGE- WINDOW SECTION DETAIL



Title: HHL Package Window Detail

LDX Optronics Inc

Date:



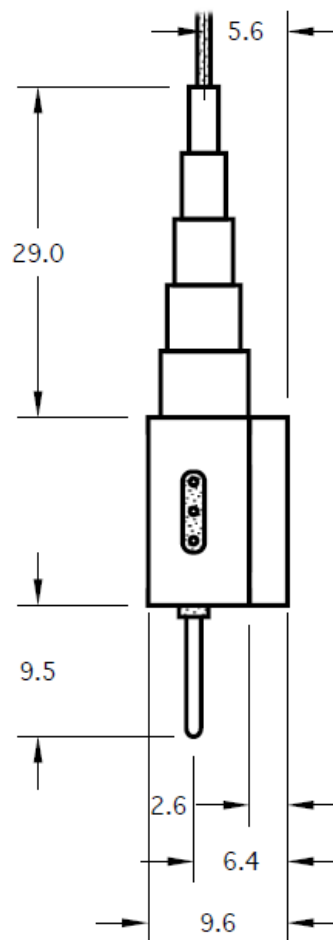
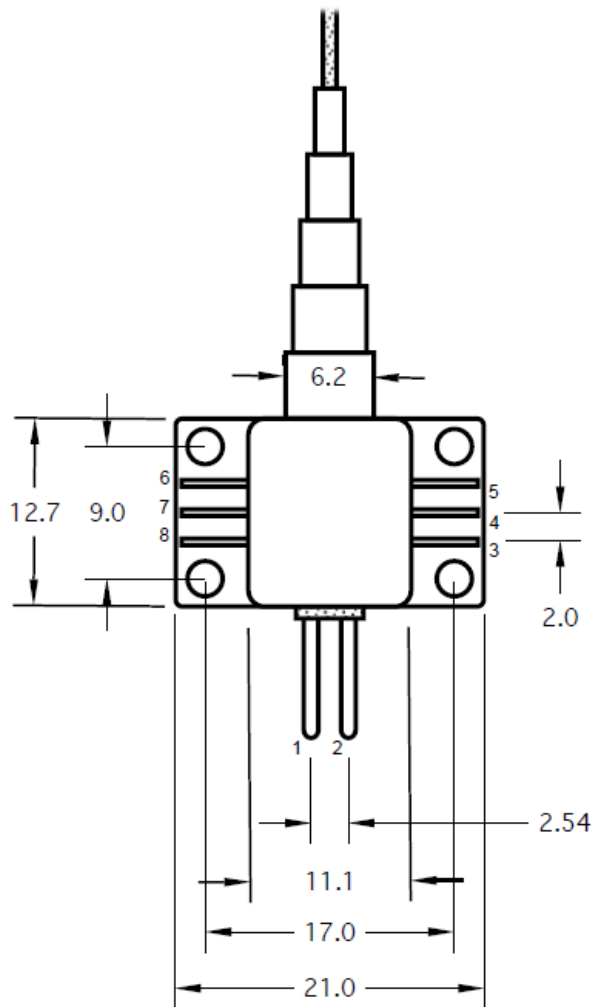
Minimum fiber size for this package is dependent on the emitter size of the laser diode. Minimum fiber sizes are:

- 50um emitter 200um fiber
- 100um emitter 400um fiber
- 150um emitter 400um fiber
- 200um emitter 400um fiber
- 300um emitter 600um fiber

Title: 9mm Fiber Coupled Package

LDX Optronics Inc

Date:



• **Standard Pin Assignment:**

1. Laser Anode (+)
2. Laser Cathode (-)
3. TEC +
4. Photodiode Anode
5. Photodiode Cathode
6. Thermistor
7. Thermistor
8. TEC -

• **Thermoelectric Cooler:**

2.5 Amps, 3.5 Volts max.

• **Thermistor Constants:**

A= 1.129 E-3  
 B= 2.341 E-4  
 C= 0.878 E-7

• **Thermistor Resistance:**

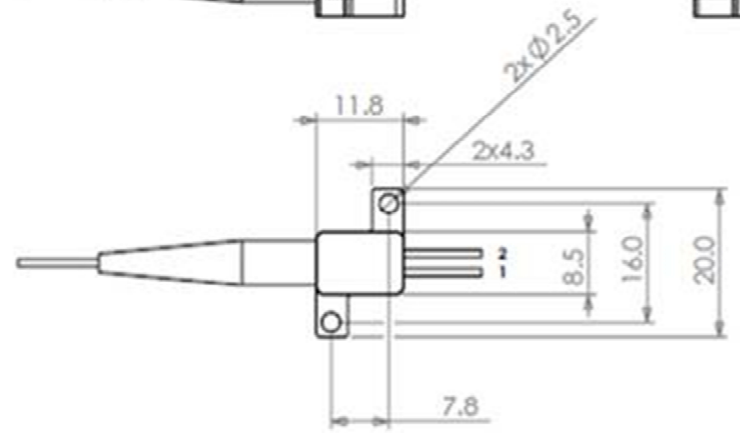
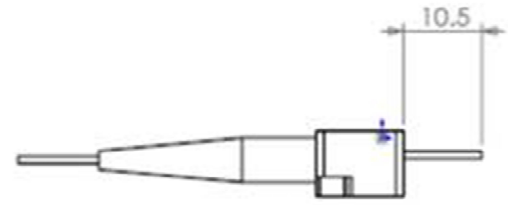
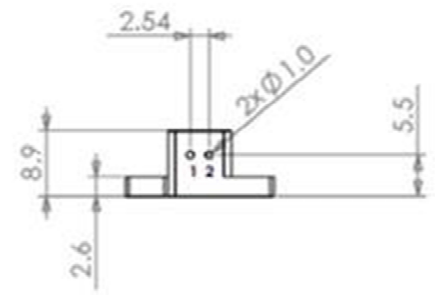
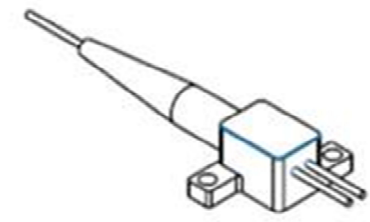
4.37 K $\Omega$  @ 45 °C  
 6.53 K $\Omega$  @ 35 °C  
 10.0 K $\Omega$  @ 25 °C  
 15.7 K $\Omega$  @ 15 °C  
 25.4 K $\Omega$  @ 5 °C

1. All dimensions in millimeters
2. Base: OFHC Copper
3. Small pins (x6) are 0.5mm dia., 2.0mm spacing
4. High-current pins (x2): 1.0mm dia., 2.54mm spacing

Title: 8-pin HHL Fiber Coupled package

LDX Optronics Inc

Date:

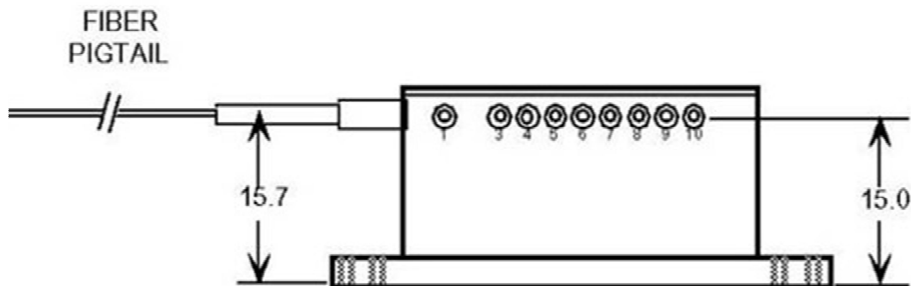
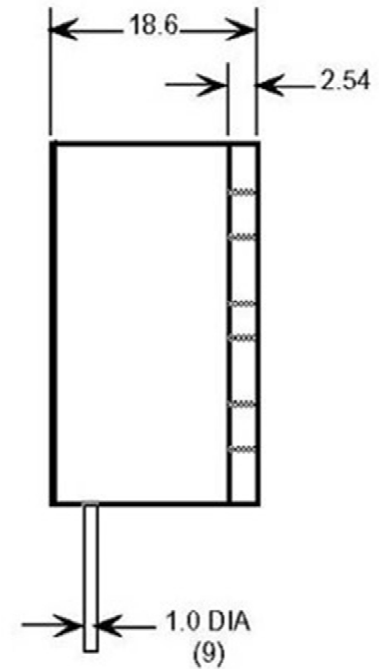
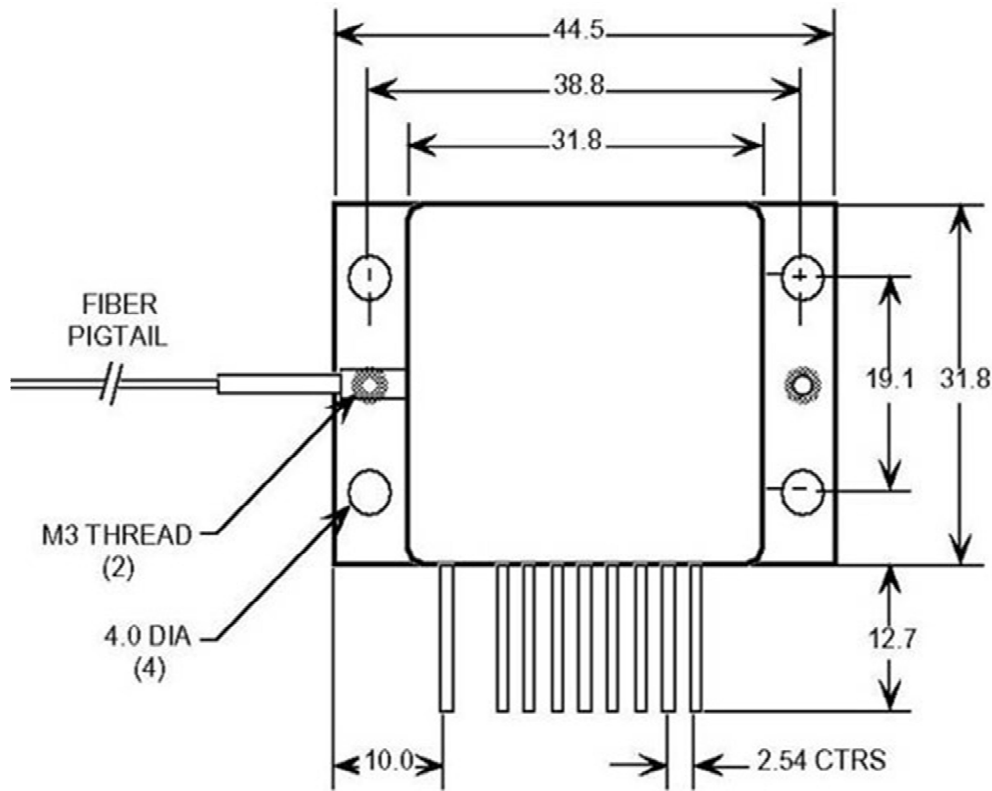


Note:  
1. Material: Base-Copper, Frame-Kovar.  
2. Pin #1: Anode(+)  
3. Pin #2: Cathode (-)

Title: 2-pin Fiber Coupled Package

LDX Optronics Inc

Date:



- |                        |                               |
|------------------------|-------------------------------|
| PIN 1: TEC (-)         | PIN 6: THERMISTOR             |
| PIN 2:                 | PIN 7: LASER CATHODE (-)      |
| PIN 3: CASE            | PIN 8: PHOTODIODE ANODE (+)   |
| PIN 4: LASER ANODE (+) | PIN 9: PHOTODIODE CATHODE (-) |
| PIN 5: THERMISTOR      | PIN 10: TEC (+)               |

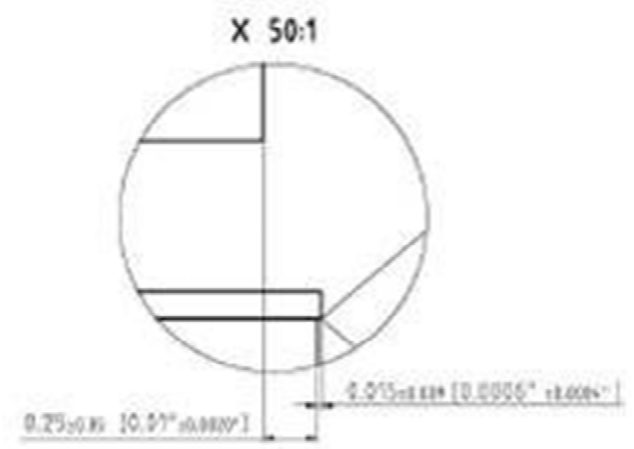
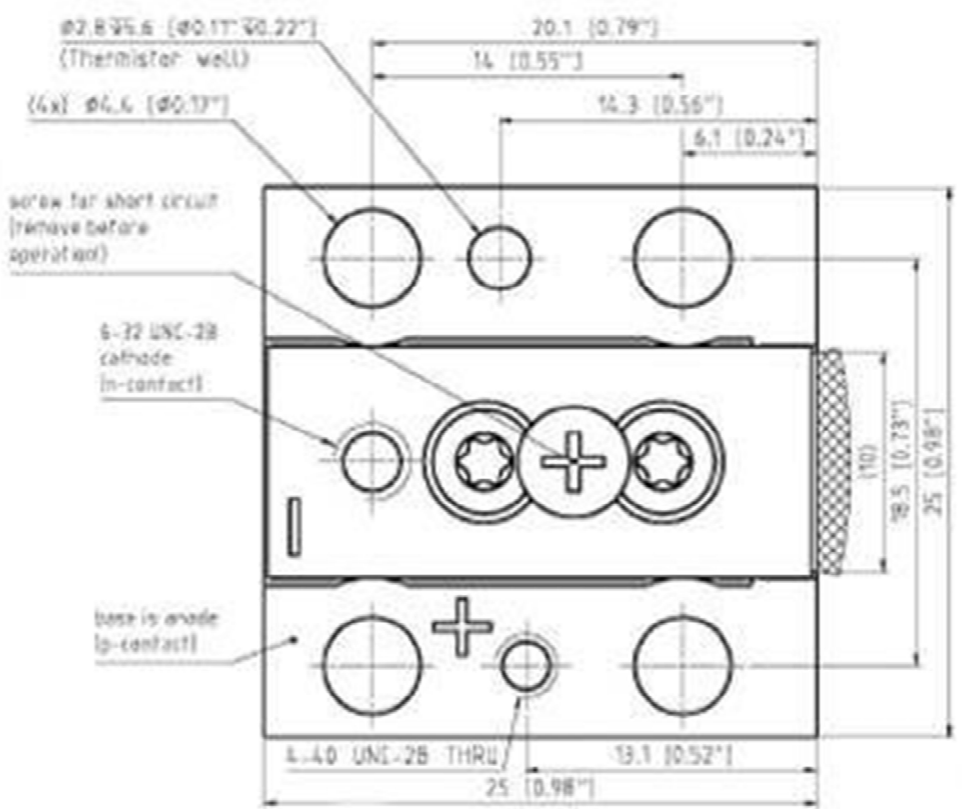
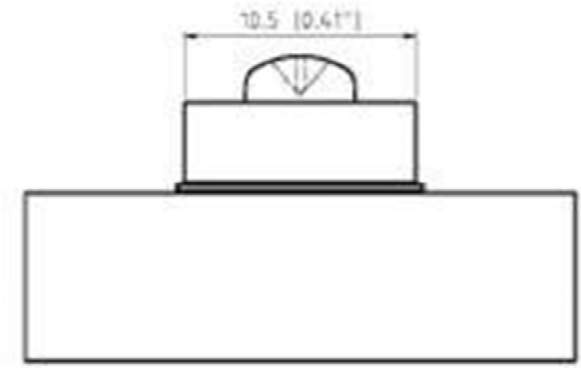
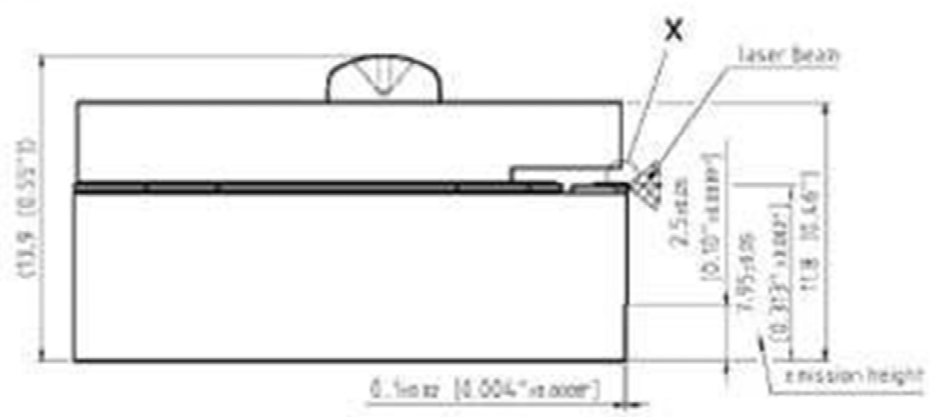
- THERMOELECTRIC COOLER RATED 3.6 AMP, 9.0 VOLT MAXIMUM.
- THERMISTOR CONSTANTS:  $A=1.129 \text{ E-3}$ ,  $B=2.341 \text{ E-4}$ ,  $C=0.878 \text{ E-7}$
- THERMISTOR RESISTANCE:
 

10.0 K @ 25 °C
12.5 K @ 20 °C
15.7 K @ 15 °C
19.9 K @ 10 °C

Title: HHL Fiber Coupled Package

LDX Optronics Inc

Date:



Title: CS Package

LDX Optronics Inc

Date: