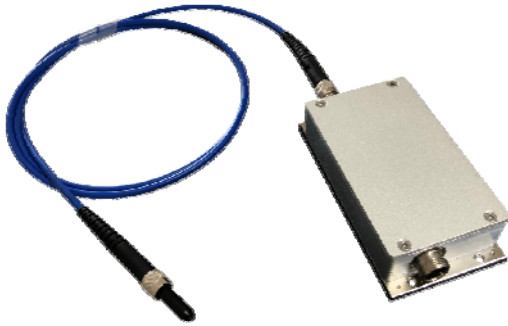
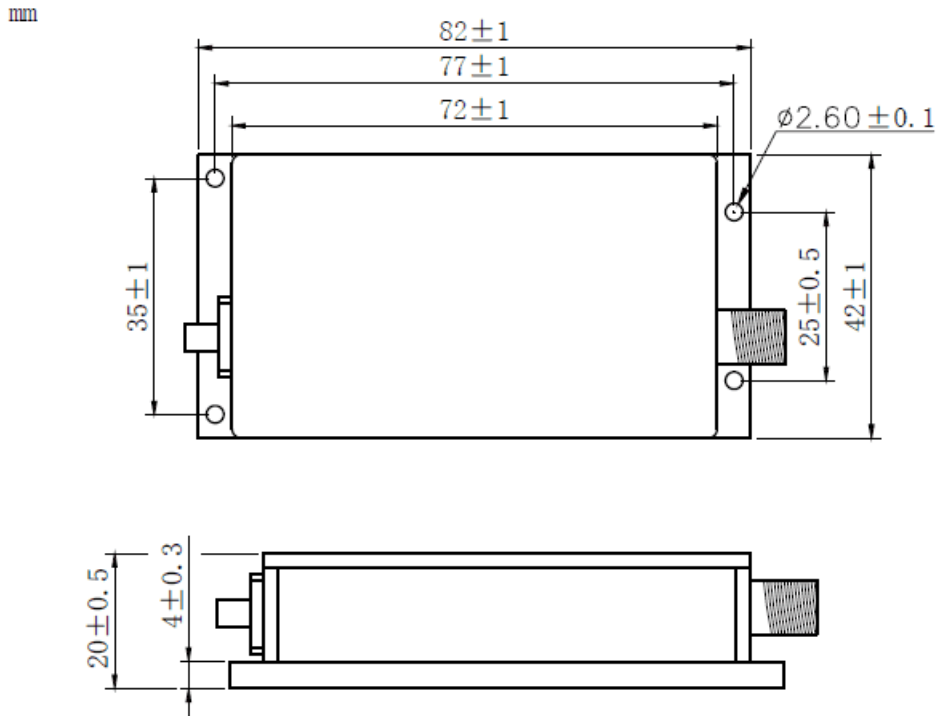


**445nm~450nm 10W Fiber Coupled Laser Diode (LD) Module with HHL Package | 450nm Blue Laser Module
440nm~455nm | 10W Output Power| With 200um Multi-mode Fiber| Built-in TEC Cooler Optional
RWLX-445-010-200M-H**

PARAMETER	SYMBOL	VALUE	UNIT
MAX Reverse Current	I_r	80	mA
Operating Temperature	T_{op}	0~ +60	°C
Storage Temperature	T_{stg}	-40~ +85	°C
Lead soldering temperature (10 sec.)	T_{is}	260	°C
Features: <ul style="list-style-type: none"> • 445nm • 10W Output Power • Built-in TEC Cooler Optional • Built-in Photodiode Optional • Stainless Steel Armor Optional 			
Applications: <ul style="list-style-type: none"> • Medical Laser Treatment • Laser Show • Others 			
Specifications	RWLX-445-010-200M-H		
	Min.	Type	Max.
Center Wavelength@25°C	445nm±10nm		
Spectral Width (FWHM)	----	6nm	----
Output Power	----	10W	----
Temperature Coefficient of Wavelength	----	0.05nm / °C	----
Threshold Current (Typ.)	----	0.3A	0.5A
Operating Current (Typ.)	----	3.0A	3.3A
Operating Voltage	----	18V	22V
Fiber Core Diameter	200um		
Fiber Numerical Aperture	0.22		
Fiber Length	>80cm		
Connector Type	SMA905/ST/FC		
Package	P4 Package		

P4 Package View



We offer **Customized 445nm Fiber Coupled LD**. Please let me know your special request:

- Customized Output Power
- Customized Fiber
- Customized Fiber Connector

Contact us with info@rpmclasers.com

Electrically shorten LD module and store in non-extreme conditions.

Suggest using the constant current power supply.

