
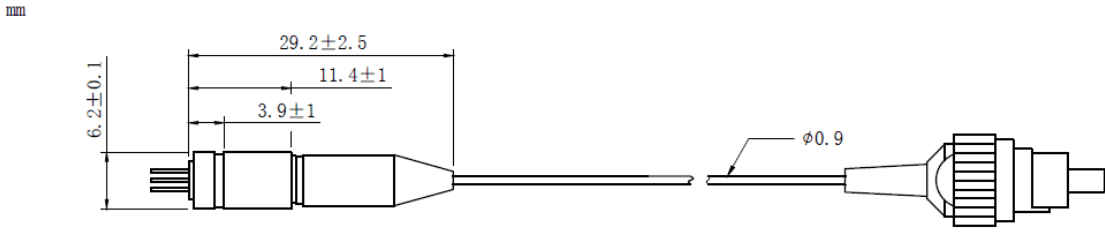


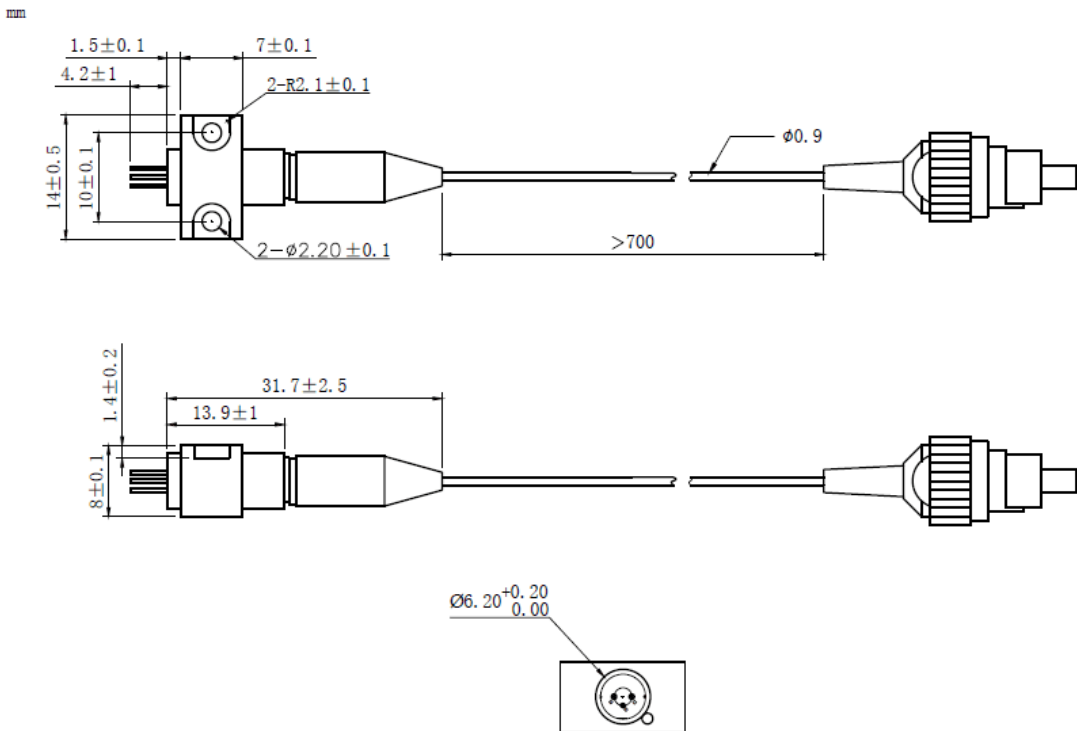
905nm~915nm 50mW~60mW SM Coaxial Pigtailed Laser Diode with 9um Fiber | Built-in Photodiode
905nm 50mW SM Fiber Coupled LD with SMF-28 Fiber (9um Fiber Core) | With PD
RWLP-905-050m-9-PD

905nm Pigtailed Diode Laser 50mW/9um			
PARAMETER	SYMBOL	VALUE	UNIT
Reverse Voltage	V_r	2.0	V
Operating Temperature	T_{op}	-10~+70	°C
Storage Temperature	T_{stg}	-40~+85	°C
Lead soldering temperature (10 sec.)	T_{is}	260	°C
Features: <ul style="list-style-type: none"> ● 905nm ● 9um Fiber ● Coaxial or B82 Package ● Built-in PD 			
Applications: <ul style="list-style-type: none"> ● Medical Laser Treatment ● Sensor ● Others 			
Specifications	RWLP-905-050m-9-PD		
	Min	Type	Max
Center Wavelength@25°C	±5nm	905nm	±10nm
Recommended Operating Temperature	25°C		
Output Power	----	50mW	----
Fiber Type	SMF-28		
Fiber Core	9um		
Monitor Current	----	0.3mA	----
PD Reverse Voltage	----	----	30V
Fiber Connector	FC/SC/SMA905		
Fiber Length	----	80cm	100cm
Threshold Current (Typ.)	----	30mA	65mA
Operating Current (Typ.)	----	220mA	240mA
Operating Voltage	----	2.2V	2.8V
Package Style	Coaxial or B82		
Photodiodes	Built-in		

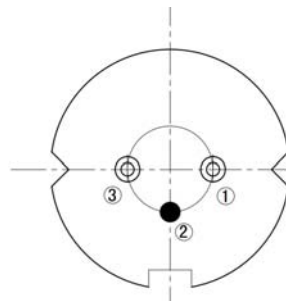
Coaxial Package View: (Part Number: RWLP-905-050m-9-PD)



B82 Package View: (Part Number: RWLP-905-050m-9-B-PD)



PIN Bottom View:



1	LD(-)
2	LD(+) & PD(-)
3	PD(+)

Electrically shorten LD module and store in non-extreme conditions.
Suggest using the constant current power supply.

