


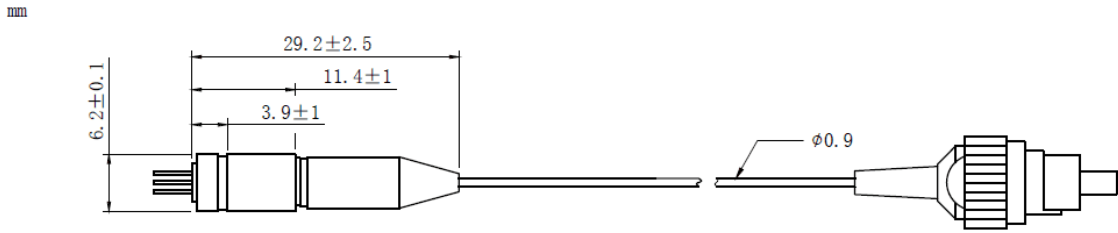
**730nm 15mW~20mW Single Mode Coaxial Pigtailed Laser Diode with SMF | Built-in PD**

**730nm 15mW SM Fiber Coupled LD with Single Mode Fiber (SM Fiber) |4um SMF | With Photodiode**

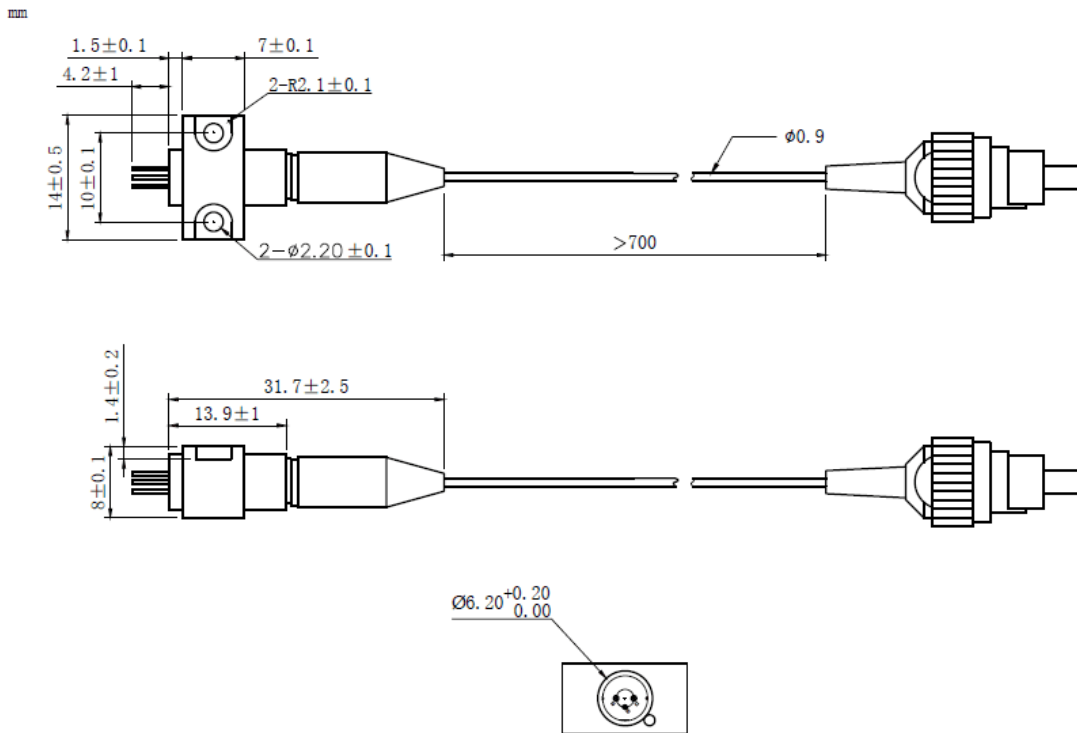
**RWLP-730-015m-4-PD**

730nm Pigtailed Diode Laser		15mW/SM Fiber	
PARAMETER	SYMBOL	VALUE	UNIT
Reverse Voltage	$V_r$	2.0	V
Operating Temperature	$T_{op}$	-10~+60	°C
Storage Temperature	$T_{stg}$	-40~+85	°C
Lead soldering temperature (10 sec.)	$T_{is}$	260	°C
<b>Features:</b> <ul style="list-style-type: none"> <li>• 730nm</li> <li>• With SM Fiber</li> <li>• Coaxial or B82 Package</li> <li>• Built-in PD</li> </ul>			
<b>Applications:</b> <ul style="list-style-type: none"> <li>• Medical Laser Treatment</li> <li>• Others</li> </ul>			
<b>Specifications</b>	<b>RWLP-730-015m-4-PD</b>		
	Min	Type	Max
Center Wavelength@25°C	730nm±10nm		
Recommended Operating Temperature	25°C		
Output Power	----	15mW	----
Fiber Type	Single Mode Fiber		
Fiber Core	4um		
Monitor Current	----	0.3mA	----
PD Reverse Voltage	----	----	30V
Fiber Connector	FC/SC/SMA905		
Fiber Length	>80cm		
Threshold Current (Typ.)	----	30mA	60mA
Operating Current (Typ.)	----	80mA	100mA
Operating Voltage	----	2.5V	3.0V
Package Style	Coaxial or B82		
Photodiodes	Built-in		

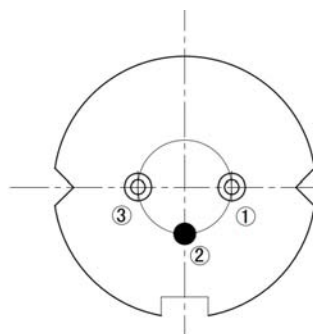
**Coaxial Package View: (Part Number: RWLP-730-015m-4-PD)**



**B82 Package View: (Part Number: RWLP-730-015m-4-B-PD)**



**PIN Bottom View:**



1	LD(-)
2	LD(+)& PD(-)
3	PD(+)

Electrically shorten LD module and store in non-extreme conditions.  
Suggest using the constant current power supply.

