
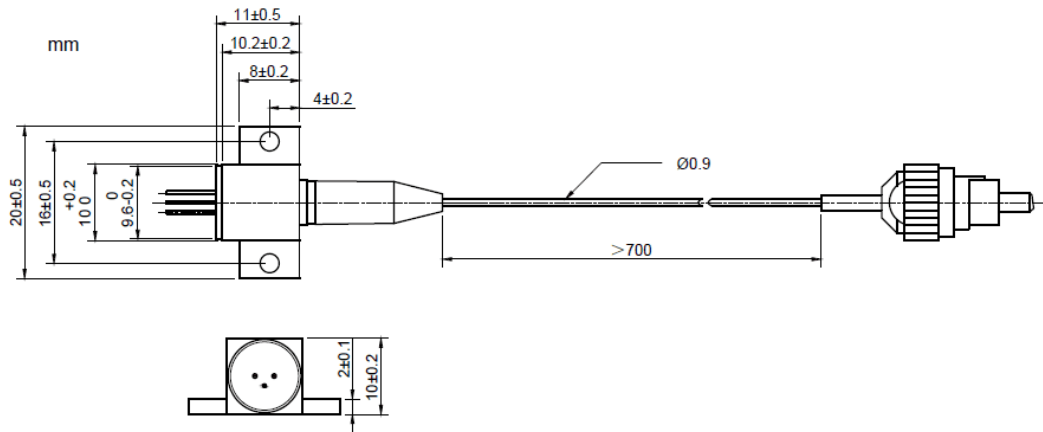


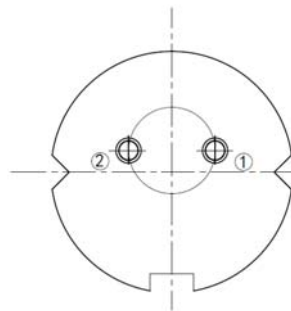
520nm 300mW Fiber Coupled LD with Coaxial Package | Green Laser Diode
515nm~520nm 300mW Pigtailed Laser Diode With 105um Multi-mode Fiber
RWLP-520-300m-M

520nm Pigtailed Diode Laser		300mW/MM Fiber	
PARAMETER	SYMBOL	VALUE	UNIT
Reverse voltage	V_r	2	V
Operating Temperature	T_{op}	0~+60	°C
Storage Temperature	T_{stg}	-40~+85	°C
Lead soldering temperature (10 sec.)	T_{is}	260	°C
Features: <ul style="list-style-type: none"> ● 520nm ● B15 Package ● TEC Cooling Optional 			
Applications: <ul style="list-style-type: none"> ● Medical Laser Treatment ● Printing ● Others 			
Specifications	RWLP-520-300m-M		
	Min	Type	Max
Center Wavelength@25°C	520nm±10nm		
Spectral Width (FWHM)	----	2.0nm	----
Output Power	----	300mW	----
Fiber Type	MM Fiber		
Fiber Core	105um		
Recommended Operating Temperature	25°C		
Fiber Connector	FC/ST/SMA905		
Fiber Length	>80cm		
Threshold Current (Typ.)	----	0.2A	0.6A
Operating Current (Typ.)	----	1.1A	1.3A
Operating Voltage	----	6.0V	7.0V
Package Style	B15		

B15 Package View:



PIN Bottom View:



1	LD(+)
2	LD(-)

Electrically shorten LD module and store in non-extreme conditions.
Suggest using the constant current power supply.

