
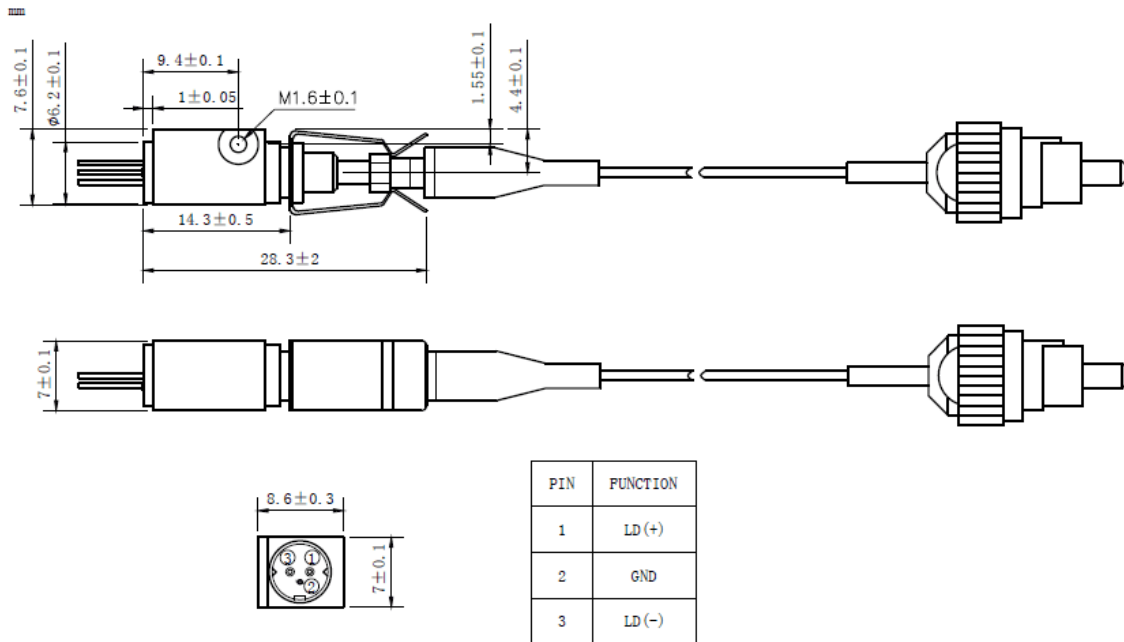


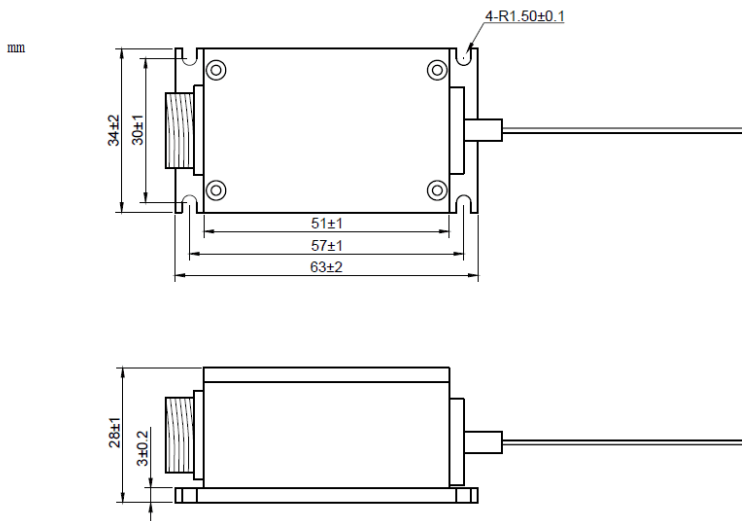
450nm 800mW Fiber Coupled LD with Coaxial Package| Blue Laser Diode
445nm~450nm 800mW Pigtailed Laser Diode With 105um Multi-mode Fiber
RWLP-445-800m-M

445nm Pigtailed Diode Laser		800mW/MM Fiber	
PARAMETER	SYMBOL	VALUE	UNIT
Reverse Voltage	V_r	2.0	V
Operating Temperature	T_{op}	0~ +70	°C
Storage Temperature	T_{stg}	-40~ +85	°C
Lead soldering temperature (10 sec.)	T_{is}	260	°C
Features: <ul style="list-style-type: none"> ● 450nm ● Coaxial or HHL-01 Package ● Fiber Receptacle Optional ● TEC Cooling Optional 			
Applications: <ul style="list-style-type: none"> ● Medical Laser Treatment ● Printing ● Others 			
Specifications	RWLP-445-800m-M		
	Min	Type	Max
Center Wavelength@25°C	450nm±10nm		
Spectral Width (FWHM)	----	3.0nm	----
Output Power	----	800mW	----
Fiber Type	MM Fiber		
Fiber Core	105um		
Recommended Operating Temperature	25°C		
Fiber Connector	FC/ST/SMA905		
Fiber Length	>80cm		
Threshold Current (Typ.)	----	0.2A	0.6A
Operating Current (Typ.)	----	1.2A	1.4A
Operating Voltage	----	5.5V	6.5V
Package Style	Coaxial or HHL-01		
TEC cooler	Optional		

Coaxial Package View: (Part Number: RWLP-445-800m-M)



HHL-01 Package View (Built-in TEC cooler): (Part Number: RWLX-445-800m-M-H-T)



Electrically shorten LD module and store in non-extreme conditions.
Suggest using the constant current power supply.

