
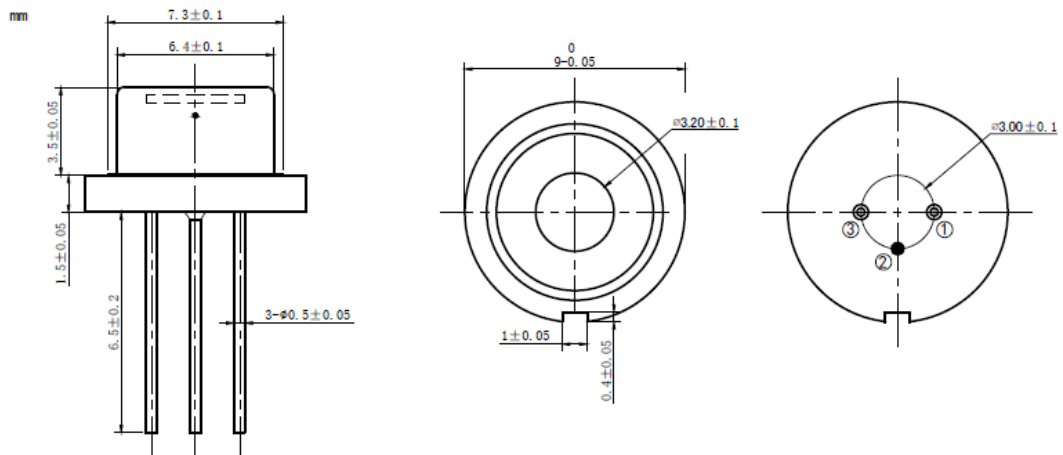


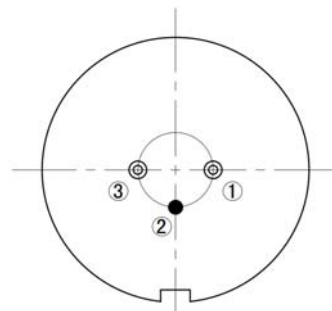
**976nm~980nm 1W Laser Diodes | TO5 9mm Package| Built-in PD**  
**980nm 1000mW High Power LD with Photodiode | Square Beam Optional**  
**RWSLD-980-001-2-PD**

980nm Laser Diode		1W/TO5	
Reverse Voltage	$V_r$	2.0	V
Operating Temperature	$T_{op}$	0 ~ +40	°C
Storage Temperature	$T_{stg}$	-40 ~ +85	°C
Lead soldering temperature (10 sec.)	$T_{is}$	260	°C
<b>Features:</b> <ul style="list-style-type: none"> <li>● 980nm</li> <li>● 1W Output Power</li> <li>● TO5 Package</li> <li>● Built-in PD</li> </ul>			
<b>Applications:</b> <ul style="list-style-type: none"> <li>● Medical Laser Treatment</li> <li>● Laser Indicator</li> <li>● Others</li> </ul>			
<b>Specifications</b>		<b>RWSLD-980-001-2-PD</b>	
		Min	Type
Center Wavelength@25°C		±5nm	980nm
Spectral Width (FWHM)		----	2.5nm
Output Power		----	1W
Recommended Operating Temperature		25°C	
Beam Divergence (FWHM)		----	38°± x 10°//
Temperature Coefficient of Wavelength		----	0.3nm / °C
Slope Efficiency		----	1.0W/A
Threshold Current (Typ.)		----	0.3A
Operating Current (Typ.)		----	1.4A
Operating Voltage		----	2.0V
Package Style		TO5	
FAC Lens		Optional	

## T05 Package View



## PIN Bottom View:



1	LD(-)
2	LD(+) & PD(-)
3	PD(+)

Electrically shorten LD module and store in non-extreme conditions.  
Suggest using the constant current power supply.

