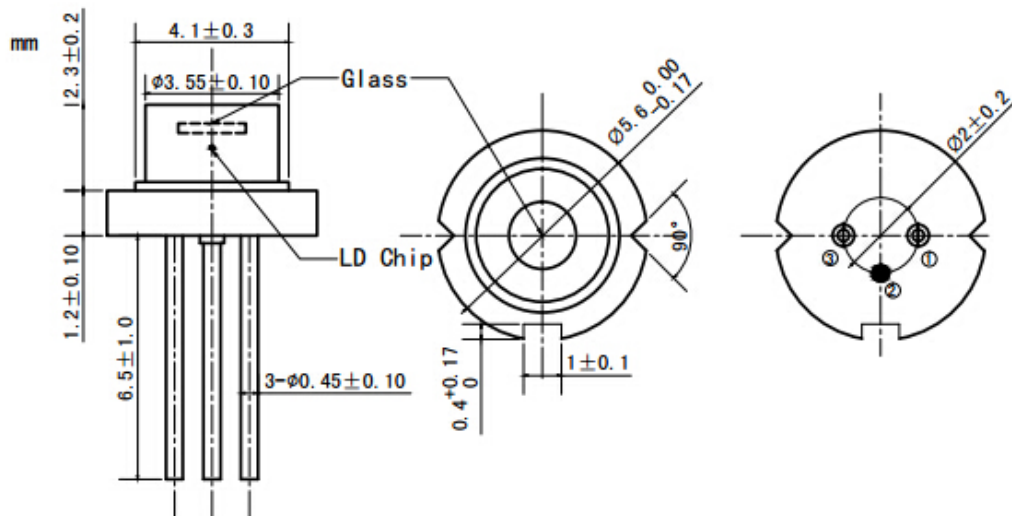


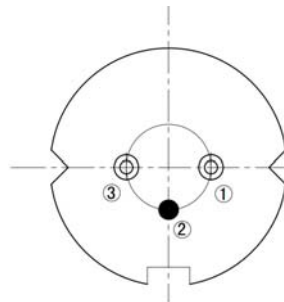
850nm 800mW High Power Laser Diode LD
850nm Multi-mode Laser Diode | TO18 Package | IR Laser Diode
RWSLD-850-800m-1

850nm Laser Diode		800mW/TO18		
Reverse Voltage	V_r	2	V	
Operating Temperature	T_{op}	-10 ~ +40	°C	
Storage Temperature	T_{stg}	-40 ~ +85	°C	
Lead soldering temperature (10 sec.)	T_{is}	260	°C	
Features: <ul style="list-style-type: none"> 850nm Multi-Mode Laser Diode TO18 Package 				
Applications: <ul style="list-style-type: none"> Medical Laser Treatment Laser Indicator Others 				
Specifications		RWSLD-850-800m-1		
		Min	Type	Max
Center Wavelength@25°C		840nm	850nm	860nm
Spectral Width (FWHM)		----	2.0nm	----
Output Power		----	800mW	----
Emitter Size		----	50um*1um	----
Beam Divergence (FWHM)		----	36° ± x 10° //	----
Monitor Current		----	----	----
Slope Efficiency		----	0.9mW/mA	----
Threshold Current (Typ.)		----	0.3A	----
Operating Current (Typ.)		----	1.2A	----
Operating Voltage		----	2.4V	----
Package Style		TO18		
Recommended Operating Temperature		25°C		

TO18 Package View



PIN Bottom View:



1	LD(-)
2	LD(+)
3	LD(-)

Electrically shorten LD module and store in non-extreme conditions.

Suggest using the constant current power supply.

