

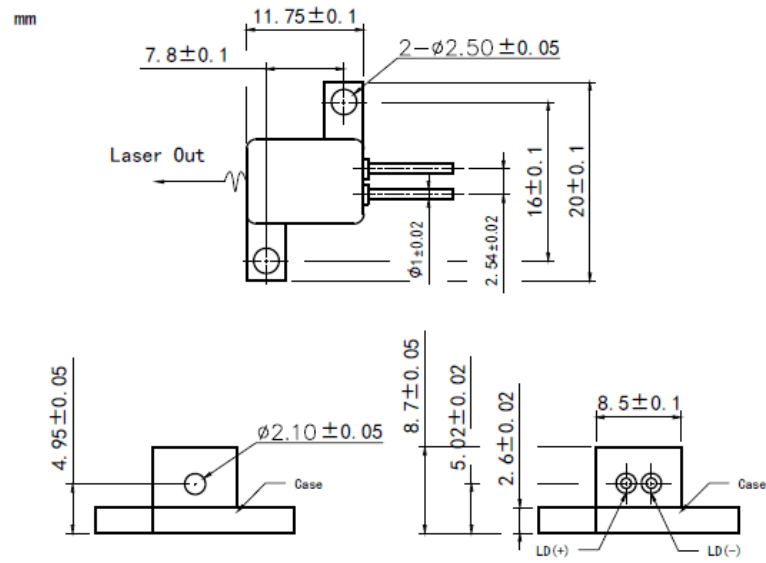
808nm~810nm 10W H-mount Laser Diode | Window Package | FAC Optional | Square Beam Optional

808nm Laser Diode| High Power LD| 10W Power| Hermetic Package

RWSLD-808-010-H

808nm Laser Diode		10W/H-mount	
PARAMETER	SYMBOL	VALUE	UNIT
Reverse Voltage	V_r	2.0	V
Operating Temperature	T_{op}	+10~+30	°C
Storage Temperature	T_{stg}	-20~ +80	°C
Lead soldering temperature (10 sec.)	T_{is}	260	°C
Features: <ul style="list-style-type: none"> ● 808nm ● Multimode ● H-mount Package (Window Package) ● FAC Lens Optional 			
Applications: <ul style="list-style-type: none"> ● Medical Laser Treatment ● Laser Pumping ● Others 			
Specifications	RWSLD-808-010-H		
	Min	Type	Max
Center Wavelength@25°C	808nm ± 10nm		
Spectral Width (FWHM)		3.0nm	
Output Power	----	10W	----
Emitter Area	----	200x1µm	----
Beam Divergence (FWHM)	----	30° _⊥ x 8° _{//}	----
Temperature Coefficient of Wavelength	----	0.3nm / °C	----
Slope Efficiency	----	1.05W/A	----
Threshold Current (Typ.)	----	1.5A	2.0A
Operating Current (Typ.)	----	11.0A	12.0A
Operating Voltage	----	1.9V	2.4V
Package Style	H-mount		
Recommended Operating Temperature	25°C		

H-mount Package View



**Electrically shorten LD module and store in non-extreme conditions.
Suggest using the constant current power supply.**

