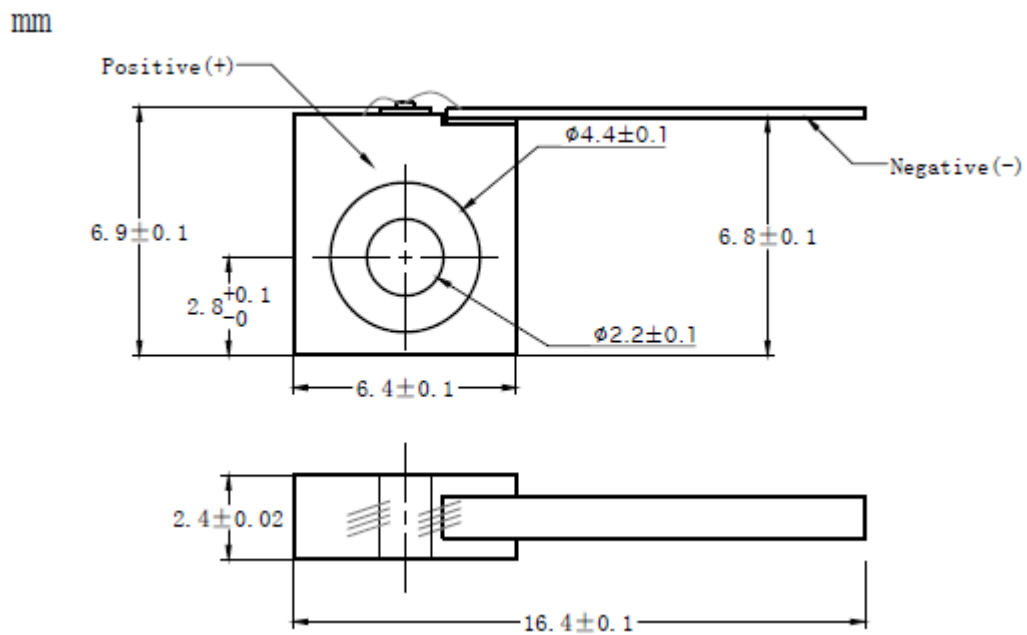


808nm~810nm 3W C-mount Laser Diode | FAC Optional | Square Beam Optional
808nm Laser Diode| High Power LD| 3W Output Power| C-mount Package
RWSLD-808-003-C

| 808nm Laser Diode | | 3W/C-mount | |
|---|-----------|---|--------------------|
| PARAMETER | SYMBOL | VALUE | UNIT |
| Reverse Voltage | V_r | 2.0 | V |
| Operating Temperature | T_{op} | +10~+30 | °C |
| Storage Temperature | T_{stg} | -20~ +80 | °C |
| Lead Soldering Temperature (10 sec.) | T_{is} | 260 | °C |
| Features: <ul style="list-style-type: none"> ● 808nm ● Multimode ● C-mount Package ● FAC Lens Optional | |  | |
| Applications: <ul style="list-style-type: none"> ● Medical Laser Treatment ● Laser Indicator ● Others | | | |
| Specifications | | RWSLD-808-003-C | |
| | | Min | Type |
| Center Wavelength@25°C | | ±3nm | 808nm |
| Spectral Width (FWHM) | | | 3.0nm |
| Output Power | | ---- | 3W |
| Emitter Area | | ---- | 100x1µm |
| Beam Divergence (FWHM) | | ---- | 35°± x 8°// |
| Temperature Coefficient of Wavelength | | ---- | 0.3nm / °C |
| Slope Efficiency | | ---- | 1.2W/A |
| Threshold Current (Typ.) | | ---- | 0.4A |
| Operating Current (Typ.) | | ---- | 3.0A |
| Operating Voltage | | ---- | 1.8V |
| Package Style | | C-mount | |
| Recommended Operating Temperature | | 25°C | |

C-mount Package View



**Electrically shorten LD module and store in non-extreme conditions.
Suggest using the constant current power supply.**

