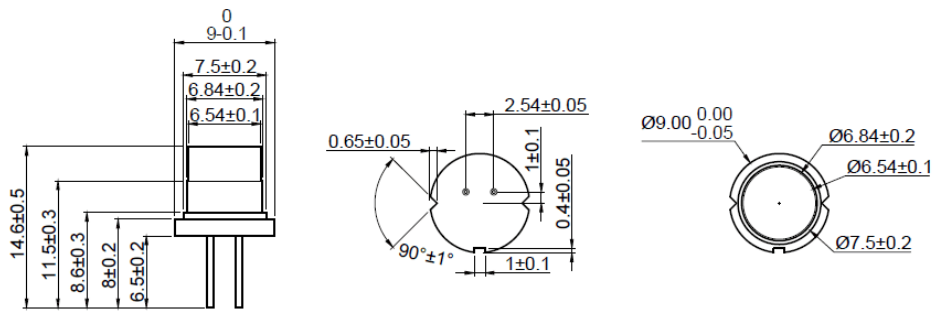


**520nm~525nm Collimated Laser Diode| High Power Green LD| 1.5W Output Power| Collimation Beam**  
**520nm 1.5W LD| Small Compact Package| Green Diode Laser**  
**RWSLD-520-1500m-K**

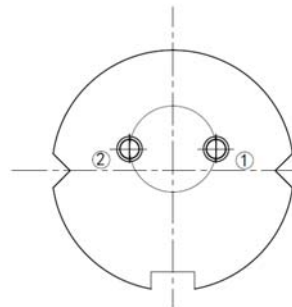
520nm Collimated Laser Diode 1.5W/TO5			
PARAMETER	SYMBOL	VALUE	UNIT
Reverse Voltage	$V_r$	2.0	V
Operating Temperature	$T_{op}$	0~+60	°C
Storage Temperature	$T_{stg}$	-40~+85	°C
Lead soldering temperature (10 sec.)	$T_{is}$	260	°C
<b>Features:</b> <ul style="list-style-type: none"> <li>● 520nm</li> <li>● Collimated Laser Beam</li> <li>● Small Compact Package</li> <li>● Excellent Beam Quality</li> <li>● Built-in PD Optional</li> <li>● Built-in TEC Cooling Optional</li> </ul>			
<b>Specifications</b>		<b>RWSLD-520-1500m-K</b>	
		Min	Type
		Max	
Center Wavelength@25°C		510nm	520nm
		535nm	
Output Power (CW Mode)		1.3W	1.5W
		----	
Spatial Mode		Multi-mode	
Lens Type		Aspheric Lens (with AR Coating)	
Beam Shape		Elliptical	
Beam Divergence (Full Angle)	Parallel ( $\theta //$ )	0.2°	0.4°
	Perpendicular ( $\theta \perp$ )	-1.0°	0°
		1.0°	
Recommend Operating Temperature		25 °C	
Threshold Current (Typ.)		----	0.2A
		0.5A	
Operating Current (Typ.)		----	2.1A
		2.3A	
Operating Voltage		5.0V	6.0V
Package		TO5(9mm)	

**Package Drawing:**

mm



**PIN Bottom View:**



1	LD(+)
2	LD(-)

Electrically shorten LD module and store in non-extreme conditions.  
Suggest using the constant current power supply.

