

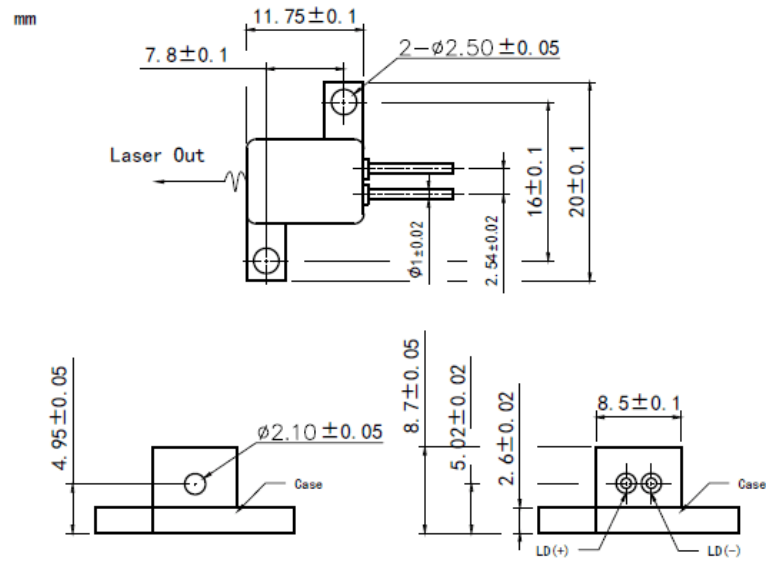
1530nm 2W H-mount Laser Diode | Window Package | FAC Optional | Square Beam Optional

1530nm~1540nm 2W Laser Diode| High Power LD| 2W Output Power| Hermetic Package

RWSLD-1530-002-H

1530nm Laser Diode		2W/H-mount	
PARAMETER	SYMBOL	VALUE	UNIT
Reverse Voltage	V_r	2.0	V
Operating Temperature	T_{op}	+10~+30	°C
Storage Temperature	T_{stg}	-20~+80	°C
Lead soldering temperature (10 sec.)	T_{is}	260	°C
Features: <ul style="list-style-type: none"> ● 1530nm ● Multi-mode ● H-mount Package (Window Package) ● FAC Lens Optional 			
Applications: <ul style="list-style-type: none"> ● Medical Laser Treatment ● Sensing ● Others 			
Specifications	RWSLD-1530-002-H		
	Min	Type	Max
Center Wavelength@25°C	1530nm ± 40nm		
Spectral Width (FWHM)		15.0nm	
Output Power	----	2W	----
Emitter Area	----	100x1µm	----
Beam Divergence (FWHM)	----	35° _⊥ x 10° _{//}	----
Temperature Coefficient of Wavelength	----	0.7nm / °C	----
Slope Efficiency	----	0.3W/A	----
Threshold Current (Typ.)	----	0.5A	----
Operating Current (Typ.)	----	7.5A	----
Operating Voltage	----	2.0V	----
Package Style	H-mount		
Recommended Operating Temperature	25°C		

H-mount Package View



Electrically shorten LD module and store in non-extreme conditions.
Suggest using the constant current power supply.

