
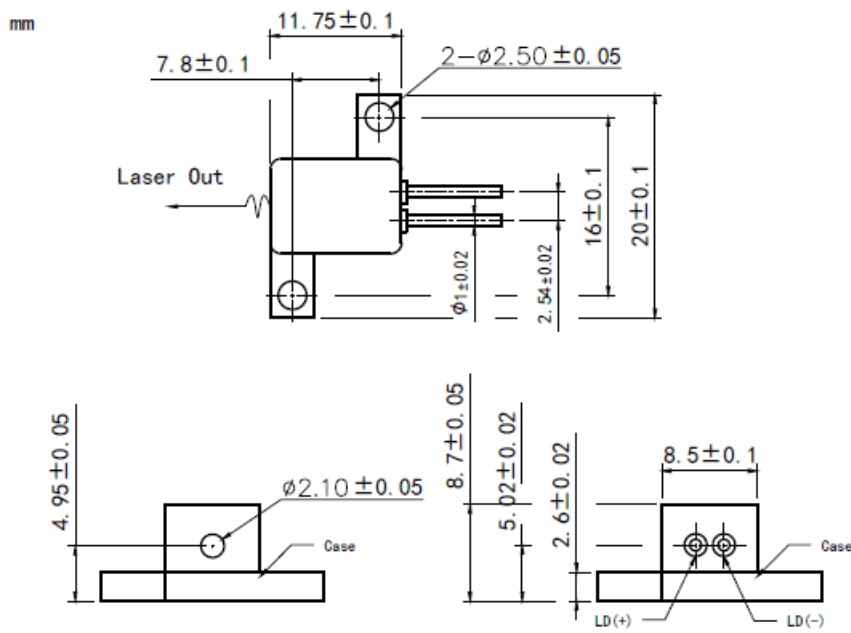


**1450nm 2W Laser Diode with H-mount Package | Window Package | Square Beam Optional**  
**1450nm 2W High Power LD | Hermetic Package | Infrared Laser Diode | FAC Optional**  
**RWSLD-1450-002-H**

1450nm Laser Diode		2W/H-mount	
Reverse Voltage	$V_r$	2.0	V
Operating Temperature	$T_{op}$	+10~+30	°C
Storage Temperature	$T_{stg}$	-20~+80	°C
Lead soldering temperature (10 sec.)	$T_{is}$	260	°C
<b>Features:</b> <ul style="list-style-type: none"> <li>1450nm</li> <li>2W Output Power</li> <li>H-mount Package (Window Package)</li> </ul>			
<b>Applications:</b> <ul style="list-style-type: none"> <li>Medical Laser Treatment</li> <li>Others</li> </ul>			
<b>Specifications</b>		<b>RWSLD-1450-002-H</b>	
		<b>Min</b>	<b>Type</b>
Center Wavelength@25°C			1450nm+/-40nm
Spectral Width (FWHM)		----	10.0nm
Output Power		----	2W
Emitter Area		----	100x1μm
Beam Divergence		----	30° <sub>⊥</sub> x 10° <sub>//</sub>
Temperature Coefficient of Wavelength		----	0.7nm / °C
Slope Efficiency		----	0.28W/A
Threshold Current (Typ.)		----	0.5A
Operating Current (Typ.)		----	8.5A
Operating Voltage		----	2.0V
Package Style		H-mount	
Recommended Operating Temperature		25°C	

### H-mount Package View



**Electrically shorten LD module and store in non-extreme conditions.  
Suggest using the constant current power supply.**

