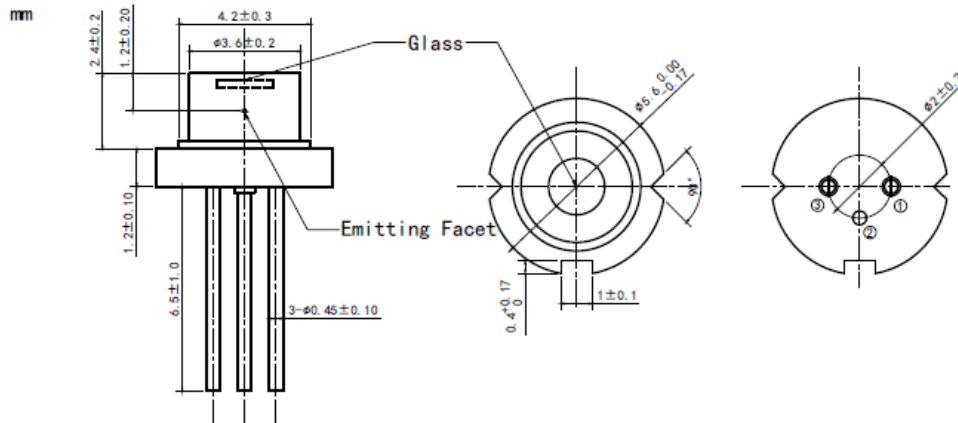


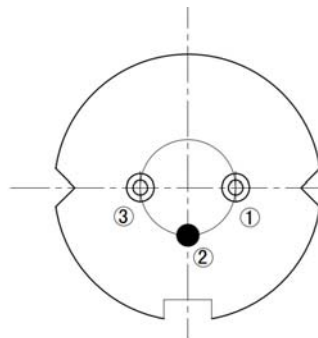
820nm~830nm~840nm 200mW Single Mode LD| SM Laser Diode|5.6mm TO18 Package
830nm SM Laser Diodes |Single Mode LD|200mW Power Built-in Photodiode
RWLD-830-200m-1-PD

830nm Laser Diode PD 200mW/TO18			
Reverse Voltage	V_r	2.0	V
Operating Temperature	T_{op}	-20~+50	°C
Storage Temperature	T_{stg}	-40~+80	°C
Lead soldering temperature (10 sec.)	T_{is}	260	°C
Features: <ul style="list-style-type: none"> ● 830nm ● Single Mode ● Built-in PD ● TO18 Package 			
Applications: <ul style="list-style-type: none"> ● Medical Laser Treatment ● Laser Indicator ● Laser Detector 			
Specifications	RWLD-830-200m-1-PD		
	Min	Type	Max
Center Wavelength@25°C	830nm±15nm		
Spectral Width (FWHM)	3.0nm		
Output Power	200mW		
Recommended Operating Temperature	25°C		
Beam Divergence (FWHM)	$28^\circ \pm x8^\circ //$		
Monitor Current	0.6mA		
PD MAX Reverse Voltage	25V		
Slope Efficiency	----	1mW/mA	
Threshold Current (Typ.)	----	40mA	70mA
Operating Current (Typ.)	----	260mA	280mA
Operating Voltage	----	2.7V	3.2V
Package Style	TO18		

TO18(5.6mm) Package View



PIN Bottom View:



1	LD(-)
2	LD(+) & PD(-)
3	PD(+)

Electrically shorten LD module and store in non-extreme conditions.

Suggest using the constant current power supply.

