

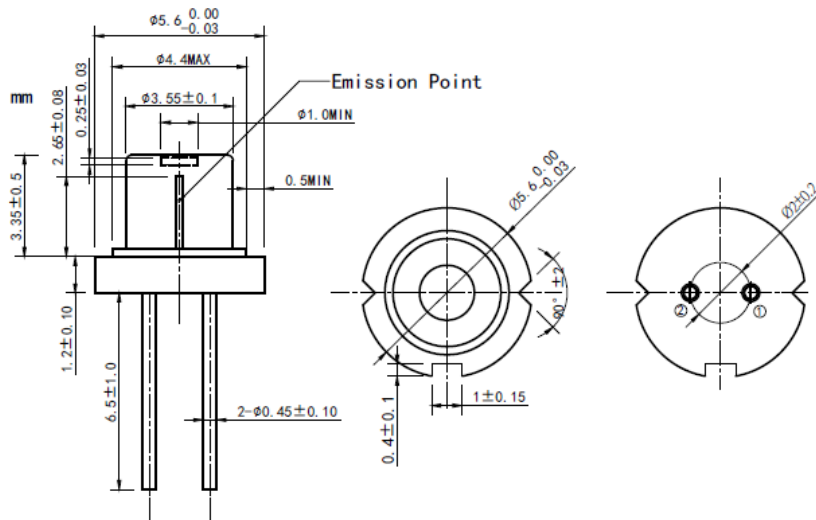
635nm 180mW Single Mode Laser Diode with TO18 Package| High Power Red LD

635nm~638nm 5.6mm Package|180mW| SM LD

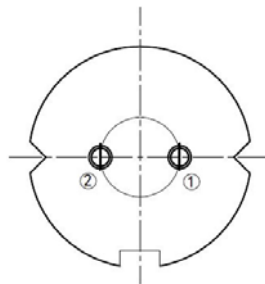
RWLD-635-180m-1

635nm Laser Diode		180mW/TO18		
PARAMETER	SYMBOL	VALUE	UNIT	
Reverse Voltage	V_r	2.0	V	
Operating Temperature	T_{op}	-10~+60	°C	
Storage Temperature	T_{stg}	-40~+85	°C	
Lead soldering temperature (10 sec.)	T_{is}	260	°C	
Features: <ul style="list-style-type: none"> 635nm Single Mode Beam 5.6mm Package 				
Applications: <ul style="list-style-type: none"> Medical Laser Treatment Laser Indicator Others 				
Specifications		RWLD-635-180m-1		
		Min	Type	Max
Center Wavelength@25°C		630nm	638nm	645nm
Recommended Operating Temperature		25 °C		
Output Power		----	180mW	----
Beam Mode		Single Mode		
Beam Divergence (FWHM)		10°± x 4° //	15°± x 10° //	24°± x 13° //
Monitor Current		----		
PD Reverse Voltage		----		
PD Forward Current		----		
Slope Efficiency		----	1.1mW/mA	----
Threshold Current (Typ.)		----	70mA	100mA
Operating Current (Typ.)		----	220mA	240mA
Operating Voltage		----	2.8V	3.5V
Package Style		TO18		

TO18 (5.6mm) Package View



PIN Bottom View:



1	LD(+)
2	LD(-)

Electrically shorten LD module and store in non-extreme conditions.
Suggest using the constant current power supply.

