


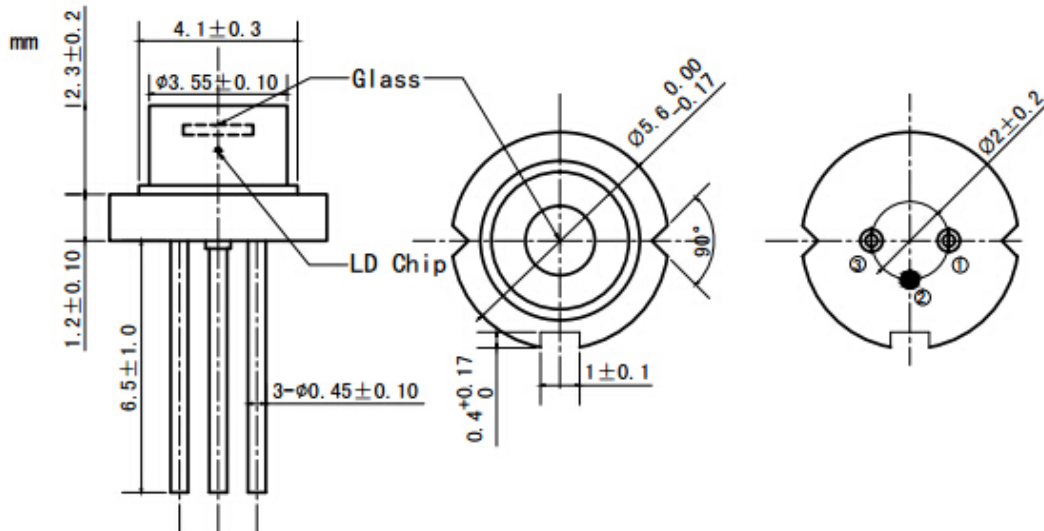
490nm~495nm 60mW Single Mode Laser Diode| High Power Blue LD | TO18 Package

492nm~495nm LD| 60mW Power|5.6mm Package Blue SM Diode Laser

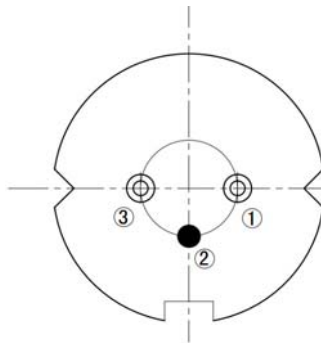
RWLD-495-060m-1

495nm Laser Diode		60mW/TO18	
PARAMETER	SYMBOL	VALUE	UNIT
Reverse Voltage	V_r	2.0	V
Operating Temperature	T_{op}	-10~+60	°C
Storage Temperature	T_{stg}	-40~+85	°C
Lead soldering temperature (10 sec.)	T_{is}	260	°C
Features: <ul style="list-style-type: none"> ● 495nm ● 60mW ● TO18 Package 			
Applications: <ul style="list-style-type: none"> ● Medical Laser Treatment ● Laser Indicator ● Laser Detector 			
Specifications		RWLD-495-060m-1	
		Min	Type
Center Wavelength@25°C		495nm±5nm	
Spectral Width (FWHM)		2.0nm	
Output Power		----	60mW
Laser Mode		Single Mode	
Beam Divergence (FWHM)		----	24°± x 8°//
Threshold Current (Typ.)		----	30mA
Operating Current (Typ.)		----	115mA
Operating Voltage		----	6.5V
Recommended Operating Temperature		25°C	
Package Style		TO18	

PIN Bottom View:



PIN Bottom View:



1	LD(+)
2	GND
3	LD(-)

Electrically shorten LD module and store in non-extreme conditions.

Suggest using the constant current power supply.

