
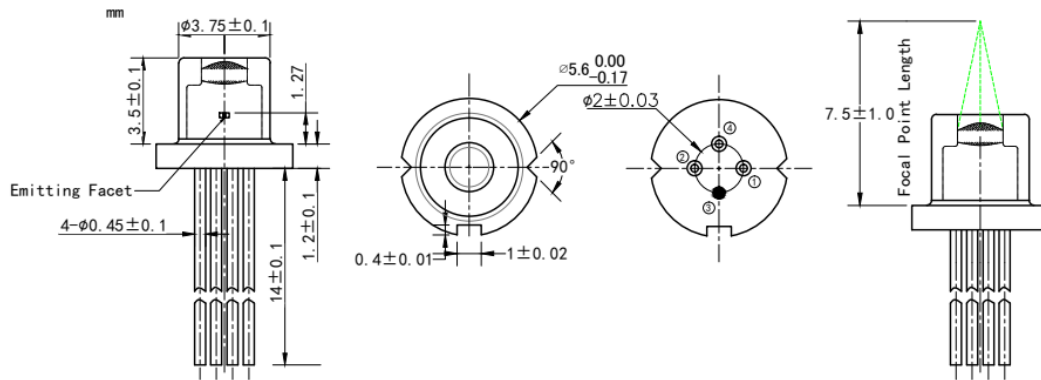


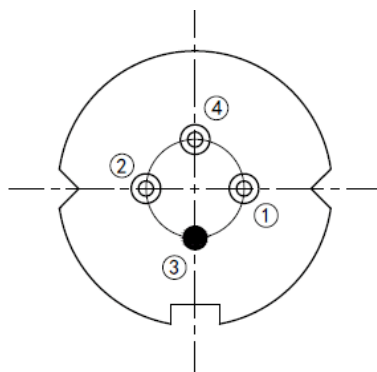
**1650nm 15mW DFB Laser Diodes | TO18 5.6mm LD | Flat Window Optional**  
**1650nm 15mW Single Mode LD | With Non-Spherical Lens | Built-in Photodiode**  
**RWLD-1650-015m-1-PD**

1650nm Laser Diode      15mW      Single mode /DFB				
Reverse Voltage	$V_r$	2.0	V	
Operating Temperature	$T_{op}$	-10~+50	°C	
Storage Temperature	$T_{stg}$	-40~+85	°C	
Lead soldering temperature (10 sec.)	$T_{is}$	260	°C	
<b>Features:</b> <ul style="list-style-type: none"> <li>1650nm</li> <li>DFB Laser</li> <li>Built-in PD</li> <li>With Non-Spherical Lens</li> <li>Flat Window Optional</li> </ul>				
<b>Applications:</b> <ul style="list-style-type: none"> <li>Optical Fiber Communication</li> <li>Free-space Optical Communication</li> </ul>				
<b>Specifications</b>				
		Min	Type	Max
Center Wavelength@25°C		±3nm	1650nm	±10nm
Spectral Width (FWHM)			0.3nm	1nm
Output Power			15mW	
Recommend Operating Temperature			25°C	
Laser Type			DFB	
Reverse current (PD) $I_{rp}$			0.5mA	
Reverse voltage (PD) $V_{rp}$			----	15V
Threshold Current (Typ.)			5mA	15mA
Operating Current (Typ.)			80mA	90mA
Operating Voltage			1.4V	1.7V
Package Style			TO18	
Window Type			Flat Window (Optional)	
			Non-Spherical-Lens Window (standard)	

**Package View:**

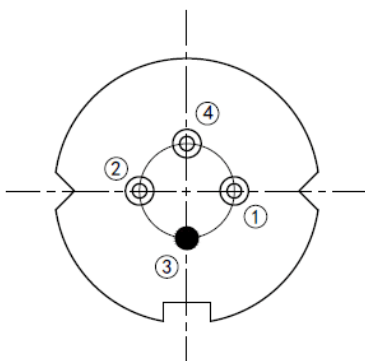


**PIN Bottom View (A-Type):**



PIN 1	PD (+)
PIN 2	LD (-)
PIN 3	LD (+), CASE
PIN 4	PD (-)

**PIN Bottom View (B-Type):**



PIN 1	LD (+) PD (-)
PIN 2	LD (-)
PIN 3	CASE
PIN 4	PD (+)

**Electrically shorten LD module and store in non-extreme conditions.  
Suggest using the constant current power supply.**

