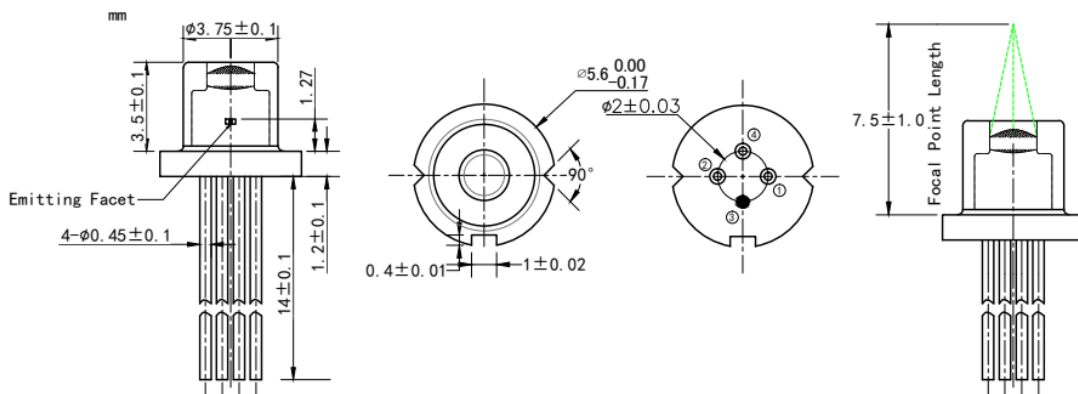


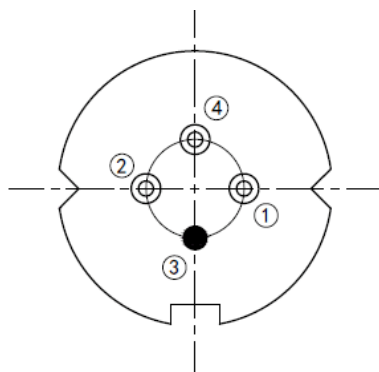
1370nm 20mW DFB Laser Diodes | TO18 5.6mm LD | Flat Window Optional
1370nm 20mW Single Mode LD | With Non-Spherical Lens | Built-in Photodiode
RWLD-1370-020m-1-PD

| 1370nm Laser Diode 20mW Single mode /DFB | | | |
|--|---|---------|-------------------|
| Reverse Voltage | V_r | 2.0 | V |
| Operating Temperature | T_{op} | -10~+50 | °C |
| Storage Temperature | T_{stg} | -40~+85 | °C |
| Lead soldering temperature (10 sec.) | T_{is} | 260 | °C |
| Features: <ul style="list-style-type: none"> ● 1370nm ● DFB Laser ● Built-in PD ● With Non-Spherical Lens ● Flat Window Optional |  | | |
| Applications: <ul style="list-style-type: none"> ● Optical Fiber Communication ● Free-space Optical Communication | | | |
| Specifications | RWLD-1370-020m-1-PD | | |
| | Min | Type | Max |
| Center Wavelength@25°C | $\pm 3\text{nm}$ | 1370nm | $\pm 10\text{nm}$ |
| Spectral Width (FWHM) | | 0.3nm | 1nm |
| Output Power | | 20mW | |
| Recommend Operating Temperature | 25°C | | |
| Laser Type | DFB | | |
| Reverse current (PD) I_{rp} | | 0.5mA | |
| Reverse voltage (PD) V_{rp} | | ---- | 15V |
| Threshold Current (Typ.) | | 5mA | 15mA |
| Operating Current (Typ.) | | 80mA | 90mA |
| Operating Voltage | | 1.4V | 1.7V |
| Package Style | TO18 | | |
| Window Type | Flat Window (Optional) | | |
| | Non-Spherical-Lens Window (standard) | | |

Package View:

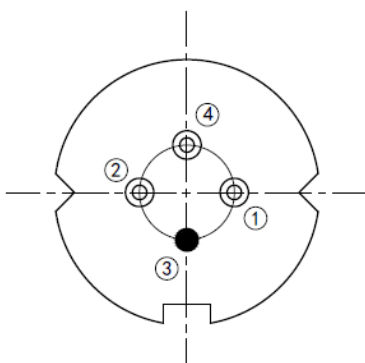


PIN Bottom View (A-Type):



| | |
|-------|--------------|
| PIN 1 | PD (+) |
| PIN 2 | LD (-) |
| PIN 3 | LD (+), CASE |
| PIN 4 | PD (-) |

PIN Bottom View (B-Type):



| | |
|-------|---------------|
| PIN 1 | LD (+) PD (-) |
| PIN 2 | LD (-) |
| PIN 3 | CASE |
| PIN 4 | PD (+) |

Electrically shorten LD module and store in non-extreme conditions.

Suggest using the constant current power supply.

