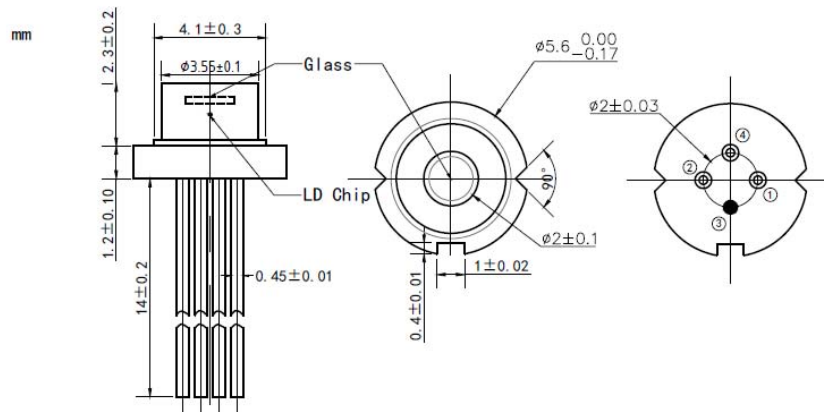


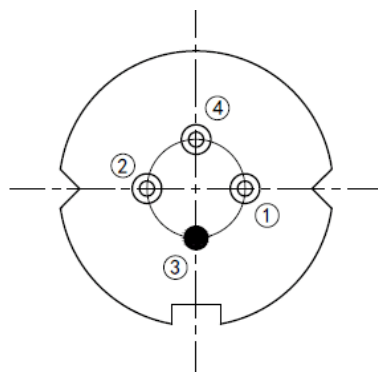
1370nm 20mW DFB SM Laser Diodes | TO18 5.6mm LD | With Flat Window
1370nm 20mW Single Mode LD | Built-in PD
RWLD-1370-020m-1-PD-F

1370nm Laser Diode 20mW Single mode /DFB			
Reverse Voltage	V_r	2.0	V
Operating Temperature	T_{op}	-10 ~ +50	°C
Storage Temperature	T_{stg}	-40 ~ +85	°C
Lead soldering temperature (10 sec.)	T_{is}	260	°C
Features: <ul style="list-style-type: none"> ● 1370nm ● Single Mode Beam ● DFB LD ● With Flat Window ● Built-in PD 			
Applications: <ul style="list-style-type: none"> ● Optical Fiber Communication ● Free-space Optical Communication 			
Specifications	RWLD-1370-020m-1-PD-F		
	Min	Type	Max
Center Wavelength@25°C	$\pm 3\text{nm}$	1370nm	$\pm 10\text{nm}$
Output Power		20mW	
Spectral Width (FWHM)		0.3nm	1nm
Laser Type	DFB		
Recommend Operating Temperature	25°C		
Beam Divergence (FWHM)		$35^\circ_{\perp} \times 25^\circ_{//}$	
Reverse Current (PD) I_{rp}		0.5mA	
Reverse Voltage (PD) V_{rp}		----	15V
Threshold Current (Typ.)		5mA	15mA
Operating Current (Typ.)		90mA	100mA
Operating Voltage		1.4V	1.7V
Package Style		TO18	
Window Type	Flat Window		

Package View:

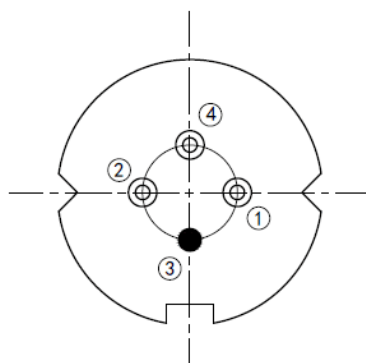


PIN Bottom View (A-Type):



PIN 1	PD (+)
PIN 2	LD (-)
PIN 3	LD (+), CASE
PIN 4	PD (-)

PIN Bottom View (B-Type):



PIN 1	LD (+) PD (-)
PIN 2	LD (-)
PIN 3	CASE
PIN 4	PD (+)

Electrically shorten LD module and store in non-extreme conditions.

Suggest using the constant current power supply.

