
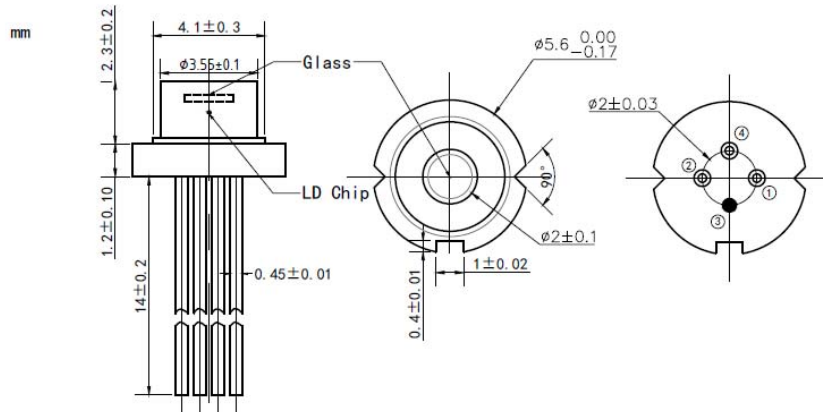


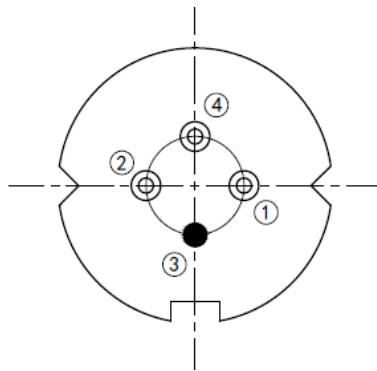
1310nm 20mW DFB SM Laser Diodes | TO18 5.6mm LD | With Flat Window
1310nm 20mW Single Mode LD | Built-in PD
RWLD-1310-020m-1-PD-F

1310nm Laser Diode 20mW Single mode /DFB			
Reverse Voltage	V_r	2.0	V
Operating Temperature	T_{op}	-10 ~ +50	°C
Storage Temperature	T_{stg}	-40 ~ +85	°C
Lead soldering temperature (10 sec.)	T_{is}	260	°C
Features: <ul style="list-style-type: none"> • 1310nm • Single Mode Beam • DFB LD • With Flat Window • Built-in PD 			
Applications: <ul style="list-style-type: none"> • Optical Fiber Communication • Free-space Optical Communication 			
Specifications		RWLD-1310-020m-1-PD-F	
		Min	Max
Center Wavelength@25°C	1310nm ± 10nm		
Output Power	----	20mW	----
Spectral Width (FWHM)	----	----	2nm
Laser Type	DFB		
Recommend Operating Temperature	25°C		
Beam Divergence (FWHM)	----	35° _⊥ x 25° _{//}	----
Reverse Current (PD) I_{rp}	----	0.5mA	----
Reverse Voltage (PD) V_{rp}	----	----	15V
Threshold Current (Typ.)	----	5mA	15mA
Operating Current (Typ.)	----	80mA	90mA
Operating Voltage	----	1.4V	1.7V
Package Style	TO18		
Window Type	Flat Window		

Package View:

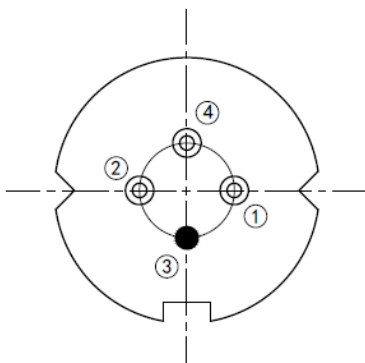


PIN Bottom View (A-Type):



PIN 1	PD (+)
PIN 2	LD (-)
PIN 3	LD (+), CASE
PIN 4	PD (-)

PIN Bottom View (B-Type):



PIN 1	LD (+) PD (-)
PIN 2	LD (-)
PIN 3	CASE
PIN 4	PD (+)

Electrically shorten LD module and store in non-extreme conditions.

Suggest using the constant current power supply.

