

HPOA-P

Polarization Maintaining, High Power Optical Amplifier

Applications

- ▶ Free Space Communication
- ▶ LIDAR
- ▶ Test & Measurement

Features

- ▶ High Output Power, up to +37 dBm
- ▶ Compact Package (150 x 170 x 25 mm)
- ▶ Low Noise Figure

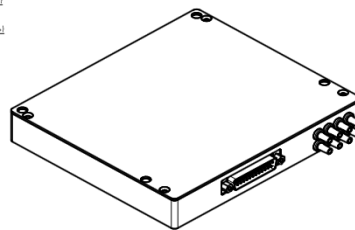
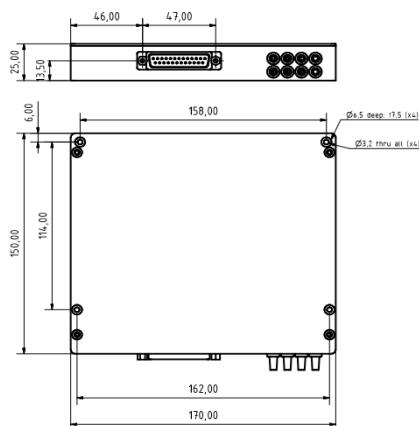


Parameter

Parameter Range

Wavelength	[nm]	1535 ... 1565
Output Power	[dBm]	Up to 37 dBm
Input Power Range	[dBm]	-10 ... +15
Noise Figure	[dB]	5.0
Polarization		Linear
PER	[dB]	23
Optical Isolation	[dB]	30
Return Loss	[dB]	40
Fiber Termination / Connector		SC/APC, FC/APC, others
Power Supply Voltage	[V]	+24
Power Consumption	[W]	35
Operating Case Temperature	[°C]	0 ... +70
Communication Interface		RS232

Mechanical Dimensions



Ordering Information

Custom variants are available upon request, please contact our customer service to discuss your specification requirements.

Evaluation board available on request



Specifications are subject to change without notice