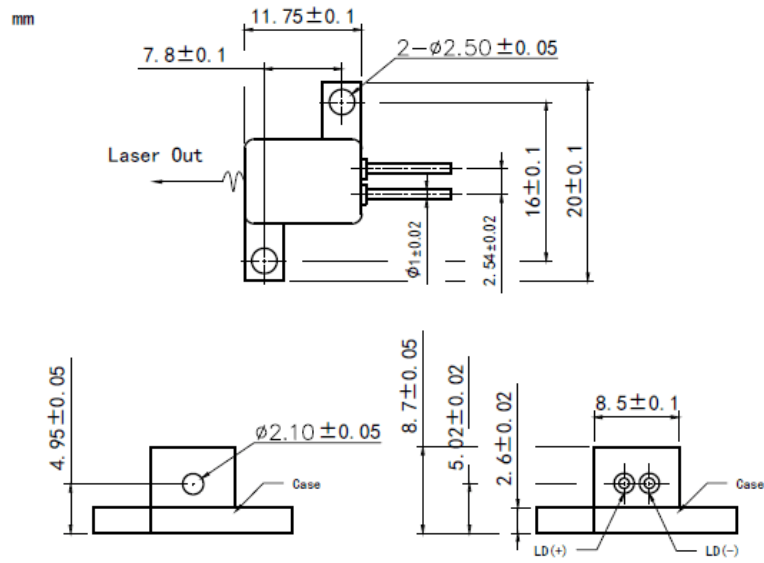


**1060nm~1064nm 8W H-mount Laser Diode | Window Package | FAC Optional | Square Beam Optional**  
**1064nm Laser Diode | High Power LD | 8W Power | H-mount Package | Hermetic Package**  
**RWLD-1064-008-H**

1064nm Laser Diode		8W/H-mount	
PARAMETER	SYMBOL	VALUE	UNIT
Reverse Voltage	$V_r$	2.0	V
Operating Temperature	$T_{op}$	+10~+30	°C
Storage Temperature	$T_{stg}$	-20~ +80	°C
Lead soldering temperature (10 sec.)	$T_{is}$	260	°C
<b>Features:</b> <ul style="list-style-type: none"> <li>1064nm</li> <li>Multimode</li> <li>H-mount Package (Window Package)</li> <li>FAC Lens Optional</li> </ul>			
<b>Applications:</b> <ul style="list-style-type: none"> <li>Medical Laser Treatment</li> <li>Laser Pumping</li> <li>Others</li> </ul>			
Specifications	RWLD-1064-008-H		
	Min	Type	Max
Center Wavelength@25°C	1064nm ± 20nm		
Spectral Width (FWHM)		4.0nm	
Output Power	----	8W	----
Emitter Area	----	100x1µm	----
Beam Divergence (FWHM)	----	30° <sub>⊥</sub> x 8° <sub>//</sub>	----
Slope Efficiency	----	0.9W/A	----
Threshold Current (Typ.)	----	0.5A	1.5A
Operating Current (Typ.)	----	10.5A	11.0A
Operating Voltage	----	1.7V	2.1V
Package Style	H-mount		
Recommended Operating Temperature	25°C		

## H-mount Package View



**Electrically shorten LD module and store in non-extreme conditions.  
Suggest using the constant current power supply.**

