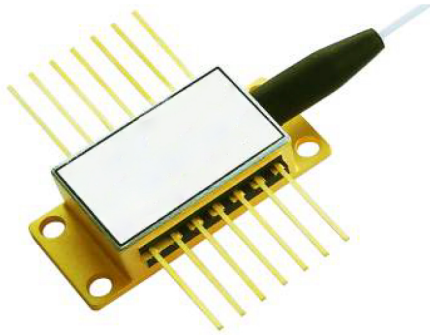


1538nm DM LASER

REP1538-DM-B

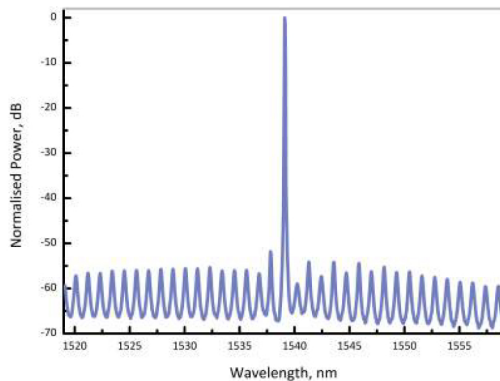


www.rpmclasers.com

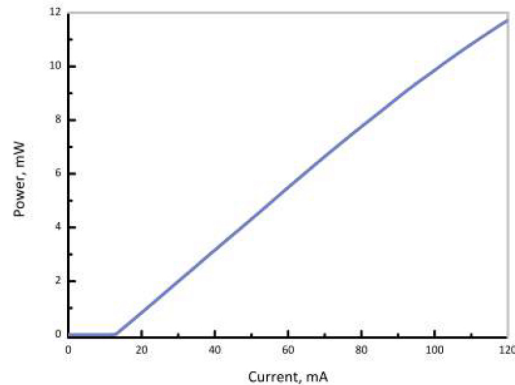


SUPERIOR PERFORMANCE

RPMC Lasers REP1531-DM-B laser diode is a cost effective, highly coherent laser source, designed using RPMC's discrete-mode (DM) technology. Excellent SMSR and linewidth performance make it suit-able for various applications including optical sensing.



Typical optical spectrum at 25° C



Output power as a function of bias current

ELECTRO-OPTICAL CHARACTERISTICS* ($T_{SUB} = 25^{\circ} C$)

PARAMETER	SYMBOL	MIN	TYP	MAX	UNIT
Centre Wavelength Range	λ	-	1538	-	nm
Wavelength specification	λ_{spec}	$\lambda - 1$	λ	$\lambda + 1$	nm
Side Mode Supression Ratio	SMSR	30	40	-	dB
Threshold Current	I_{th}	-	12	20	mA
Output Power in fiber	P_f	4	8	-	mW
Optical linewidth	Δf	-	-	2	MHz
Temperature Tuning Coefficient	T_{λ}	0.07	0.1	-	nm/°C
Current Tuning Coefficient	I_{λ}	8	12	-	pm/mA
Slope Efficiency	SE	0.06	0.12	-	mW/mA
Thermistor Resistance	R_T	9.5	10	10.5	k Ω
Thermistor Temp. Coefficient	C	-	-4.4	-	%/°C

*CW bias unless otherwise stated

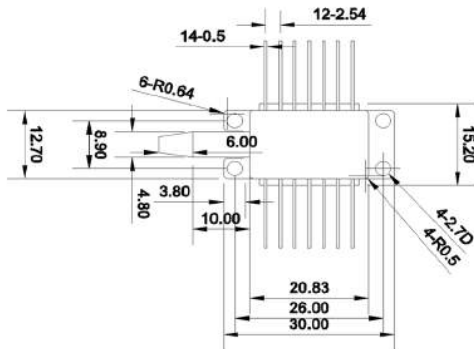
ABSOLUTE MAXIMUM RATINGS

PARAMETER	SYMBOL	MIN	MAX	UNIT
Forward Current	I_f	-	120	mA
Forward Voltage	V_f	-	2	V
TEC Current	I_{TEC}	-	1.2	A
Reverse Voltage LD	V_r	-	2	V
Reverse Voltage PD	V_{rev}	-	20	V
Case Temperature*	T_{Case}	-20	65	°C
Chip Submount Temperature	T_{Sub}	0	50	°C
Storage Temperature	$T_{storage}$	-40	85	°C

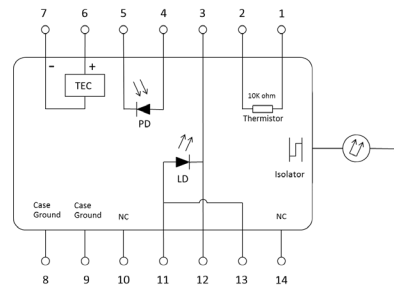
*For $T_{sub} < 25^{\circ}C$, Max Case Temperature should be derated to $T_{Case,Max} = T_{sub} + 40^{\circ}C$

PACKAGING

The REP1538-DM-B product series is offered in a 14-pin But-terfly package - Inquire for other packaging options. The standard package pinout is shown below, variations may be requested.



14-pin butterfly schematic



Standard "Pinout 01" option



Wavelength Band

Single Mode

Connector/Fiber:
FA = FC/APC (SMF)
FM = FC/APC (PM)

Package Description:
B = 14 pin butterfly
01 = pinout



Laser Safety

This is a Class 3R Laser Product as defined by International Standard IEC 60825-1, Edition 3. Invisible Laser radiation is emitted from the end of the fiber or connector. Avoid direct eye exposure to the beam. Laser safety labels are not attached to the module due to space limitations but instead are affixed to the outside of the shipping carton.