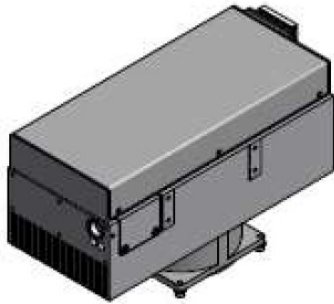


Onda 1064

Spec. #: ND22202

High Peak Power Diode Pumped Solid State Laser



FEATURES

- _ Up to 750 uJ
- _ Short pulse duration
- _ Q-Switching : up to 100 kHz
- _ All solid state design
- _ Air Cooled
- _ Low heat waste

Technical Specifications	Typical	
Output Wavelength	1064	nm
Pulse energy	> 750 @ 10 kHz	uJ
Pulse Width	2 to 12	ns
Repetition Rate	Single shot to 100	kHz
Polarization	Linear 100:1	
Beam diameter (1/e ²)	7 +/- 0.5 (collimated)	mm
Beam Quality (M ²)	<= 1.5 @ 10 kHz	
Electrical Requirements	24 V DC IN 300W	
Cooling	Air-Cooled (fan included)	
Mechanical Dimensions	235 x 105 x 95	mm ³
Weight	< 4.5	kg



All information included in this document is subject to change without notice.

Update data sheets can be provided after formal request.

For complete details, please contact your local **Bright Solutions** sales representative or visit our website at www.brightsolutions.it

Bright Solutions Srl
Via Artigiani, 27
27010 Cura Carpignano - PV
Italy
Ph. +39 0382583094
e-mail: sales@brightsolutions.it

Included Options

- Visible red aiming beam @ 635nm collinear with the 1064nm beam



- Microprocessor based Control Box for driving and monitoring – RS232 DB9 port enabled



- Electrical adapter mini-subD 26 HD male to subD DB 25 female

End of document



All information included in this document is subject to change without notice.

Update data sheets can be provided after formal request.

For complete details, please contact your local **Bright Solutions** sales representative or visit our website at www.brightsolutions.it

Bright Solutions Srl
Via Artigiani, 27
27010 Cura Carpignano - PV
Italy

Ph. +39 0382583094

e-mail: sales@brightsolutions.it