

LCX-532L

DPSS

Optical characteristics *

Emission wavelength	532.3 nm (± 0.5 nm)	
Linewidth	≤ 0.1 nm	
Output power	Free space	Fiber coupled
	50 mW	35 mW
	100 mW	70 mW
	150 mW	105 mW
	200 mW	140 mW
	300 mW	210 mW
Control mode(s)	Automatic Power Control (APC)	
Power stability over 8 hours and within $\pm 3k$	$\pm 1\%$	
Power adjustment range optional	30 - 100% 0 - 100% with L1C-MPA	
Optical noise %RMS, 10Hz - 20 MHz bandwidth	$\leq 0.2\%$	

— Transverse singlemode free-space beam

Beam waist diameter (typ) at $1/e^2$, 50mm from output aperture	0.7 mm (± 0.1 mm)
Beam divergence at $1/e^2$, full angle, in far field	1.0 to 0.2 mrad
Beam quality factor (M^2)	≤ 1.1
Beam circularity, in far field	$\geq 90\%$
Polarization extinction ratio (typ)	1000:1
Polarization state	linear, vertical at $\pm 5^\circ$

— Modulation functions

Optional

L1C-AOM

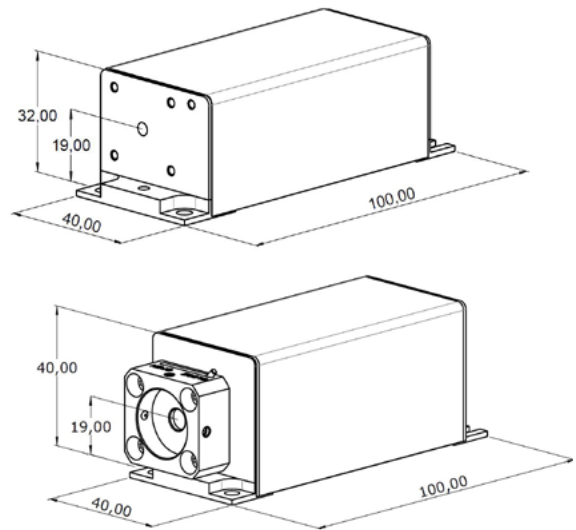
DC - 3 MHz

Fiber coupling option

	SM and PM Fiber	MM Fiber (50 μ m, 0.22 NA)
Coupling Efficiency	$\geq 70\%$	$\geq 80\%$
Polarization Ratio (PMF only)	100 : 1	n/a
Fiber Output Connector	FC-ACPC/FC/PC, FCP8 on demand	FC-APC
Power stability over 8 hours and within $\pm 3k$	$\pm 2\%$	$\pm 2\%$
Fiber length	2.0 m	2.0 m



System specifications



— Plug and Play version provided with :

- Electro-mechanical shutter
- ControlBoxx
- Power supply

Other options

- Heat sink
- Clean-up filter

General specifications

	Plug and Play version	OEM version
Compliance	CE FDA 21 CFR 1040.10/1040.11	FDA 21 CFR 1040.10 / 1040.11
Operating temperature	10 - 38°C ambient air with optional heat sink	10 - 50°C baseplate
Power consumption	≤ 25 W	≤ 20 W
Storage temperature	0 to 60°C	
Supply voltage	100 to 240 VAC external power supply	5 to 12 VDC
Warm-up time	≤ 10 minutes	
Interfaces	USB, RS-232, dedicated electronic interface	

Warranty : 18 months from shipment date

*Specifications at nominal power



CONTACT US

Oxxius S.A
4 rue Louis de Broglie
F-22300 Lannion, France

Phone : +33 296 48 70 28
sales@oxxius.com
www.oxxius.com